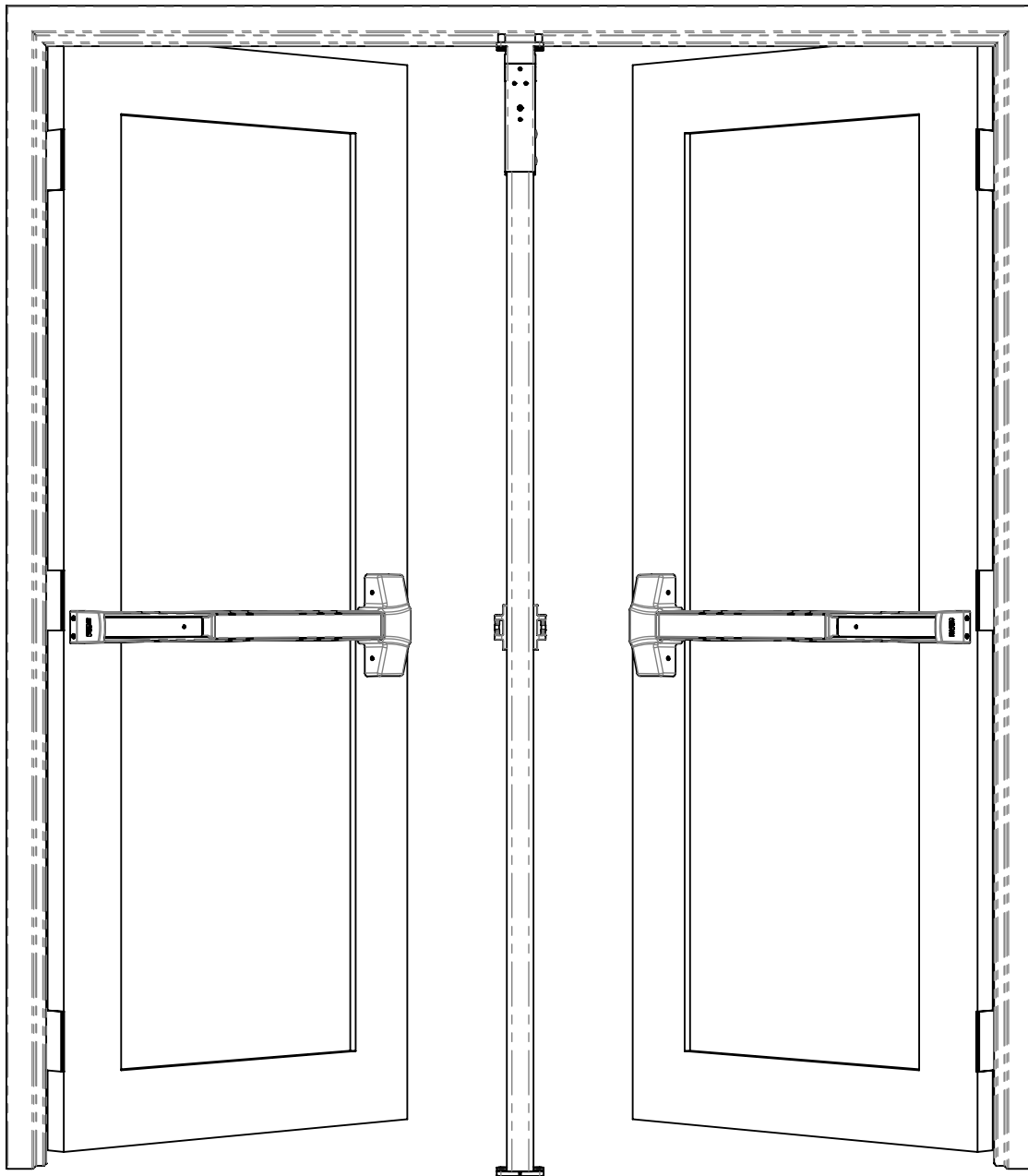
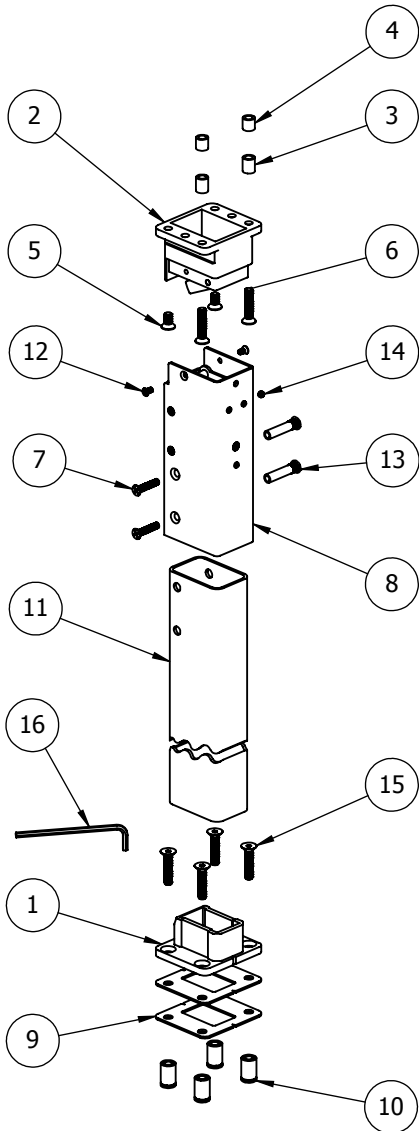


DEVICES COVERED IN THIS DOCUMENT:

- 7' (84") Non-Key Removable Mullion Primer Coat USP
- 8' (96") Non-Key Removable Mullion Primer Coat USP
- 10' (120") Non-Key Removable Mullion Primer Coat USP
- 7' (84") Non-Key Removable Mullion Fire Rated Primer Coat USP
- 8' (96") Non-Key Removable Mullion Fire Rated Primer Coat USP

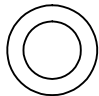

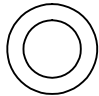
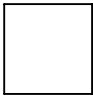
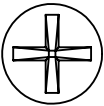
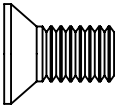
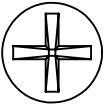
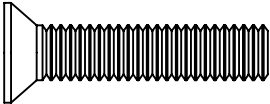




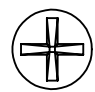

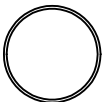
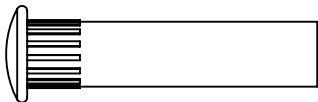
ITEM NO.	QTY.	DESCRIPTION
1	1	NKR Mullion Bottom Bracket
2	1	NKR Mullion Top Bracket Assembly
3	2	Top Bracket Shims (5/8in long) for 5/8in stop
4	2	Top Bracket Shims (1/2in long) for 1/2in stop
5	4	5/16-18 x 5/8in Flat Head Machine Screw
6	2	5/16-18 x 1-1/2in Flat Head Machine Screw
7	2	1/4"-20 x 1-1/4in Flat Head Machine Screw
8	1	Top Fitting of Mullion Tube Assembly
9	2	NKR Bottom Bracket Shim
10	4	NKR Bottom Bracket Anchor
11	1	Mullion Post
12	2	#10-24 x 3/8" Flat Head Machine Screw
13	2	1/4"-20 Through Bolt
14	1	1/4-20 x 3/16in Hex Socket Set Screw
15	4	5/16-18 x 1-1/2in Hex Socket Countersunk Cap Screw
16	1	3/16in Hex Wrench

4900 NKR MULLION SCREW CHART



TOP BRACKET INSTALLATION - SEE STEPS 1 THOUGH 3

- | | | |
|-----------------------------------------------------------------------------------|-----------------------------------------------------------------------------------|-------------------------------------------------------------------------------------------------------------|
|  |  | 5/8" long Top Bracket Shim
- For use on 5/8" frame stop with 5/16"-18 x 1-1/2" FHMS shown below |
|  |  | 1/2" long Top Bracket Shim
- For use on 1/2" frame stop with 5/16"-18 x 1-1/2" FHMS shown below |
|  |  | 5/16"-18 X 5/8" Flat Head Machine Screw
- For direct mounting to soffit |
|  |  | 5/16"-18 X 1-1/2" Flat Head Machine Screw
- For use with top bracket shims on narrow soffit applications |

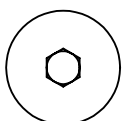
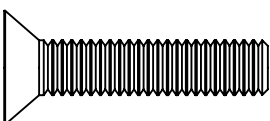
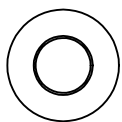
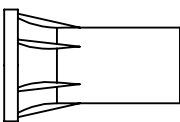
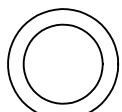

CONNECT TOP FITTING AND MULLION POST - SEE STEP 4

- | | | |
|-------------------------------------------------------------------------------------|-------------------------------------------------------------------------------------|------------------------------------------|
|  |  | 1/4"-20 x 1-1/4" Flat Head Machine Screw |
|  |  | 1-5/8" Long Through Bolt |

CONNECT TOP FITTING TO TOP BRACKET - SEE STEP 10

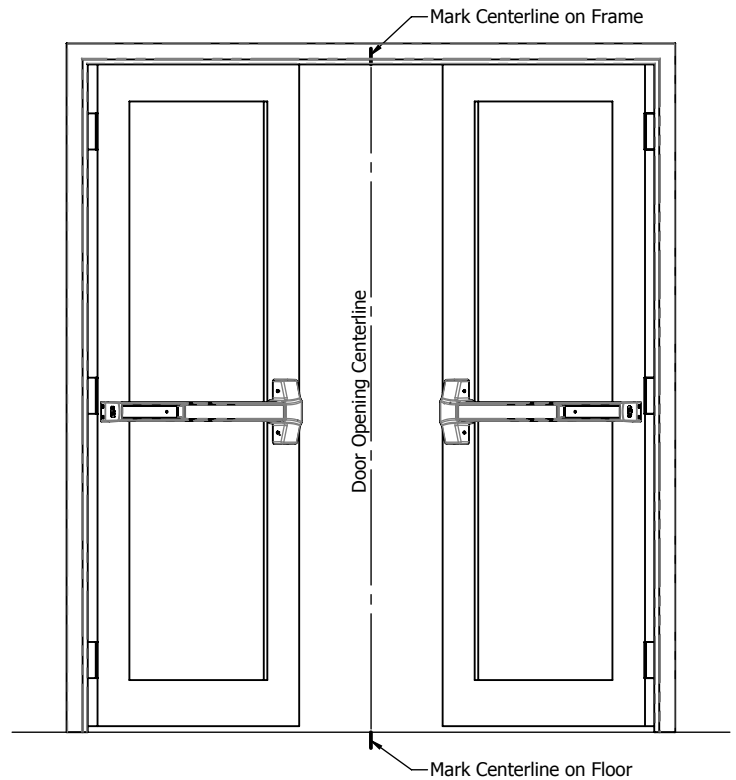
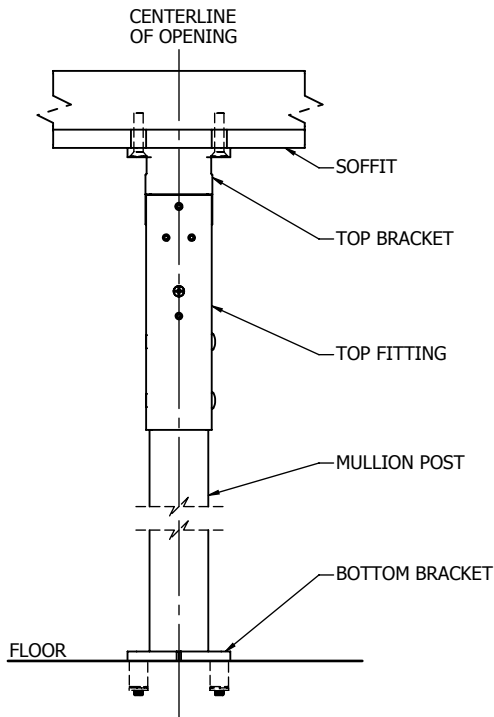
- | | | |
|-------------------------------------------------------------------------------------|-------------------------------------------------------------------------------------|---------------------------------------|
|  |  | #10-24 x 3/8" Flat Head Machine Screw |
|-------------------------------------------------------------------------------------|-------------------------------------------------------------------------------------|---------------------------------------|

BOTTOM BRACKET INSTALLATION - SEE STEP 8

- | | | |
|-------------------------------------------------------------------------------------|-------------------------------------------------------------------------------------|----------------------------------------------------|
|  |  | 5/16"-18 x 1-1/2" Hex Socket Countersunk Cap Screw |
|  |  | 5/16"-18 Anchor |
|  |  | 5/16"-18 Anchor Sleeve |

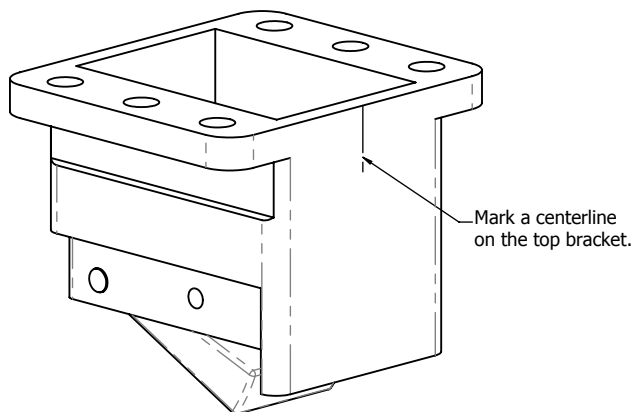
STEP ONE

Measure and mark the center of the width of the door opening at the soffit and at the floor. Be sure the door edges also meet at this centerline.



STEP TWO

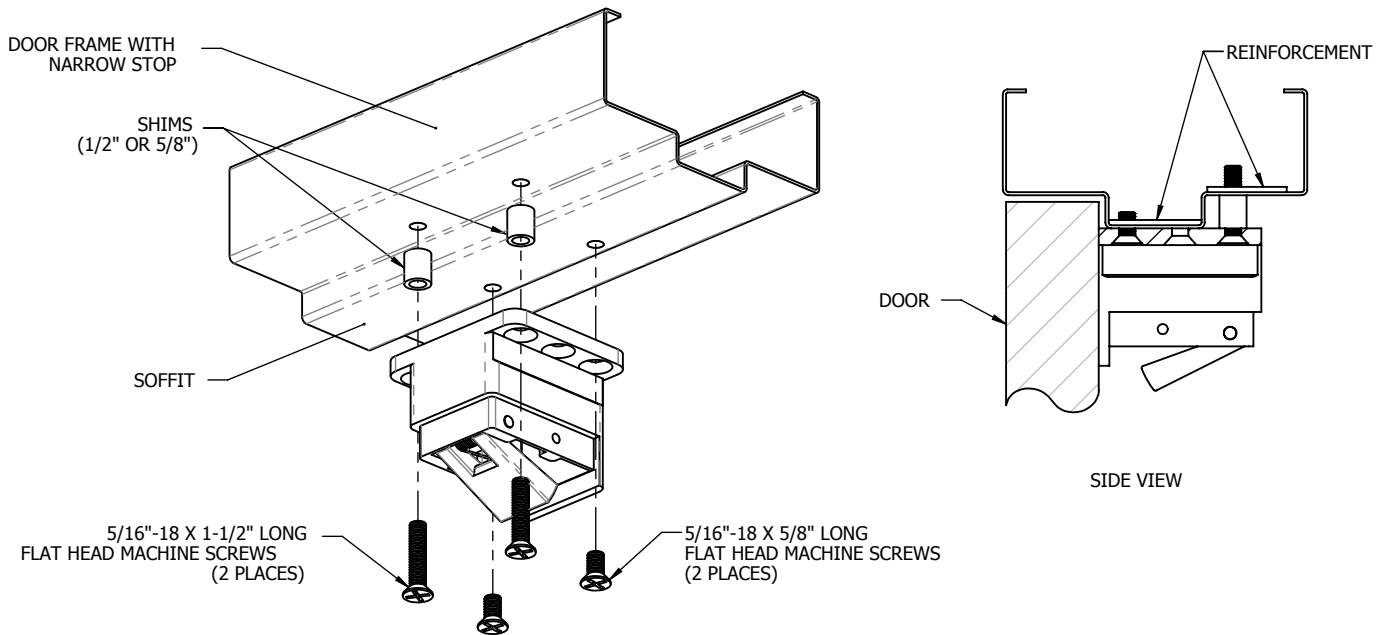
Measure and mark a centerline on the width of the top bracket.



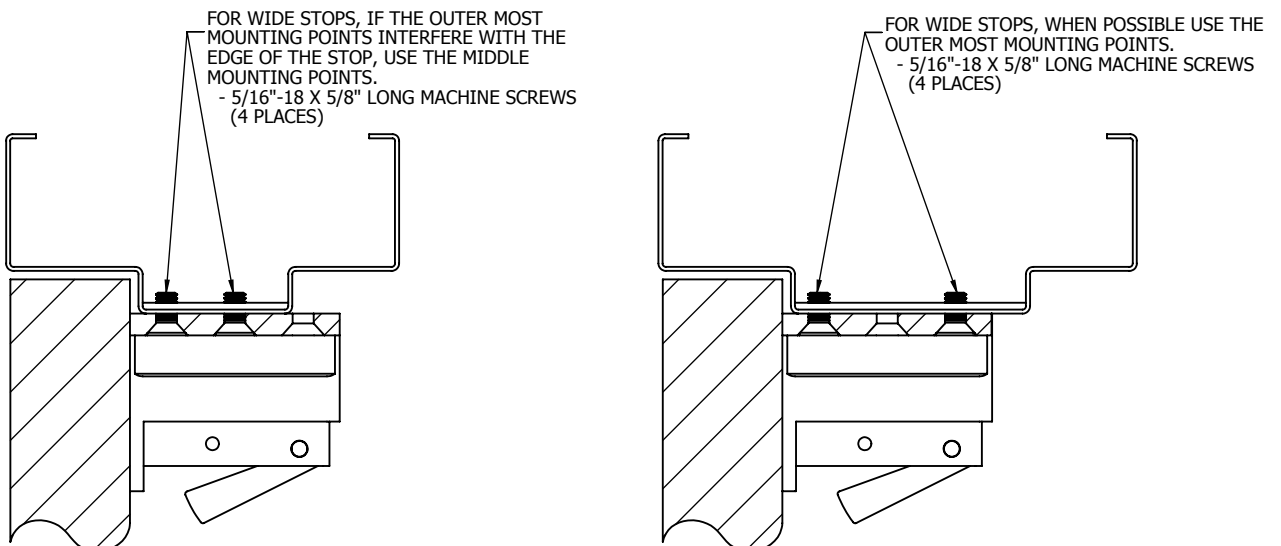
STEP THREE

Align, mark hole locations, and install top bracket:

- A. Align the mark from step 2 with the centerline marked in Step 1.
- B. Close the doors and butt the top bracket up to the face of the door.
- C. Mark the four (4) hole locations, dependent on your frame style (see figures below).
- D. Drill and tap the soffit at the four hole locations for the 5/16"-18 machine screws.
- E. A standard door frame or narrow stop frame will require the use of cylindrical shims, both 1/2" and 5/8" shims have been included.
- F. Refer to the illustration that matches your application (narrow or wide stop) and install the top bracket using the 5/16-18 machine screws and shims (if needed).

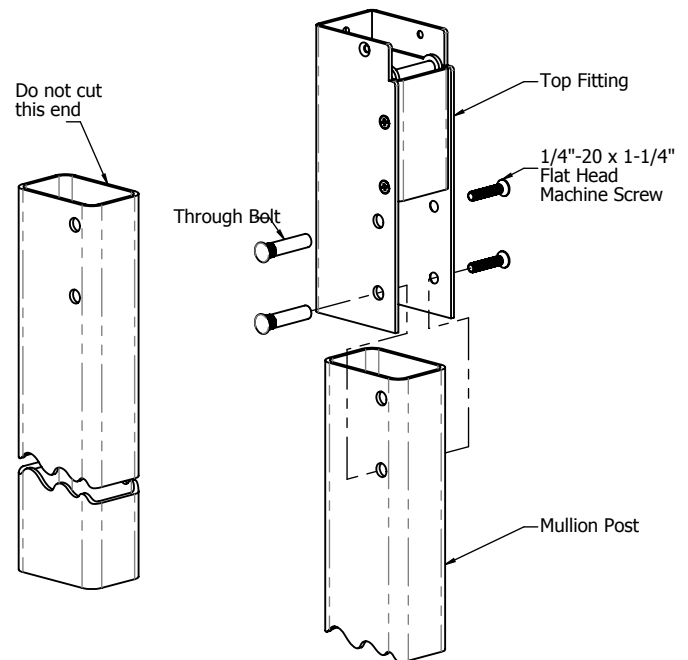


ALTERNATE MOUNTING STYLES FOR DOOR FRAME WITH WIDE STOP



STEP FOUR

Attach mullion top fitting to the mullion post. Secure the two together with the 1/4"-20 machine screws and Through bolts (2).



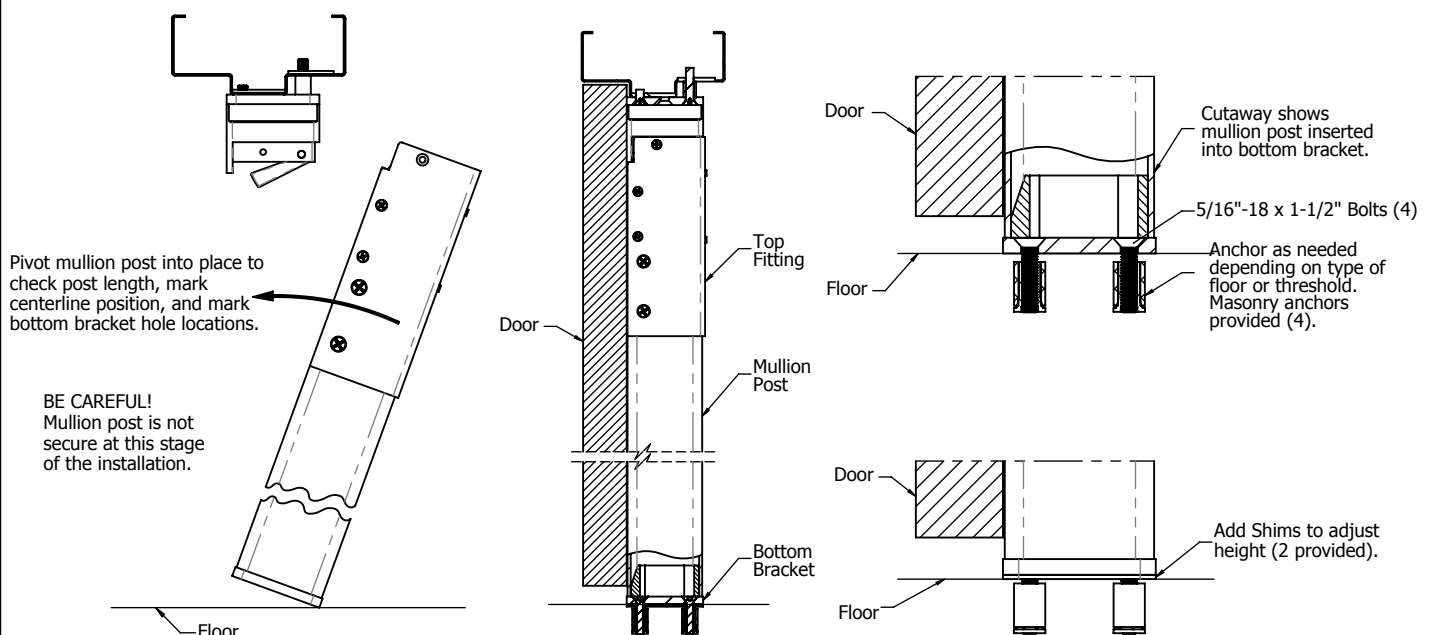
STEP FIVE

If there is a threshold, be sure to cut the threshold so that the mullion bottom bracket can be installed directly on the floor.

STEP SIX

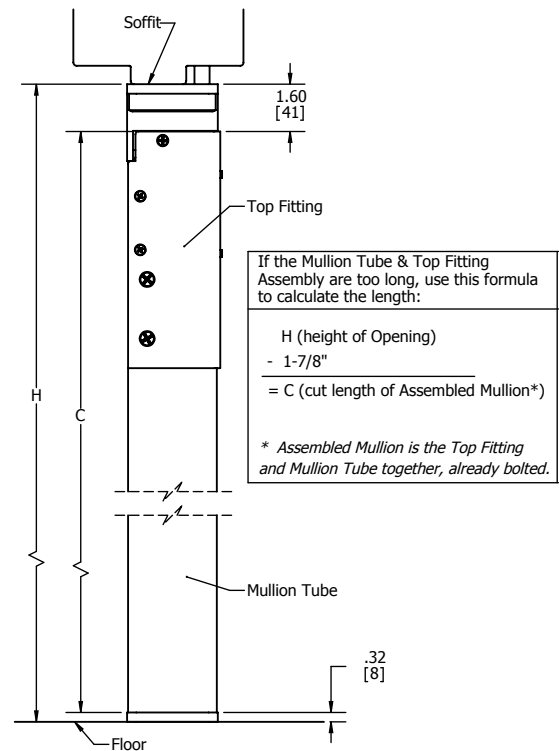
Trial fit the mullion:

- Position the bottom bracket on the floor in line with the centerline marked in step 1.
- Insert the mullion post into the bottom bracket and pivot the top end into the top bracket. Close the doors and align the mullion post so it is up against the doors.
- Align the notch in the bottom bracket with the centerline marked on the floor in step 1.



STEP SEVEN

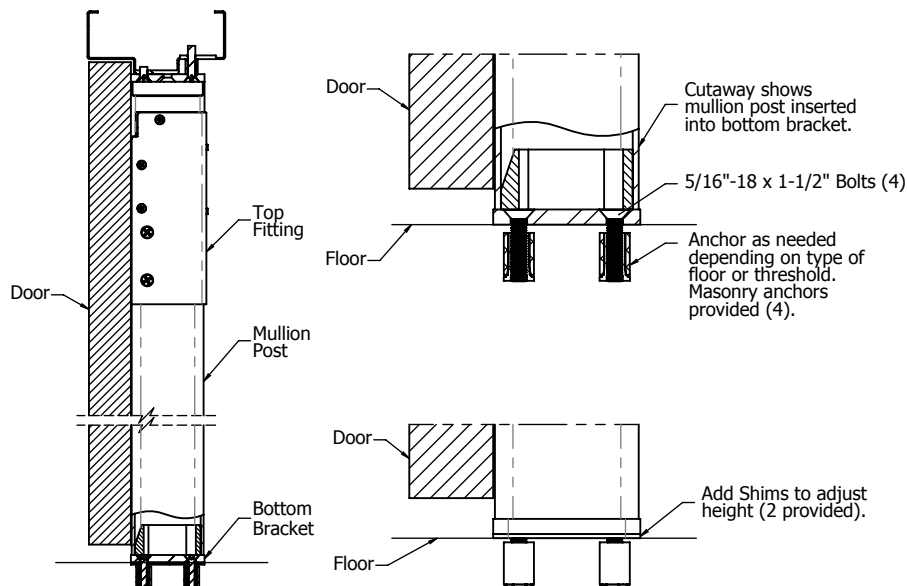
If the mullion post/top fitting assembly fits, skip to the next step. If it is too long and will not fit into the top bracket, use the formula shown below to cut the mullion to the proper length. Take the height of the opening, which is from the soffit face to the floor, and subtract 1-7/8". This will be the cut length of the mullion assembly. Be sure to cut from the bottom end of the mullion post. The top end will have the top fitting already attached from Step 4.



STEP EIGHT

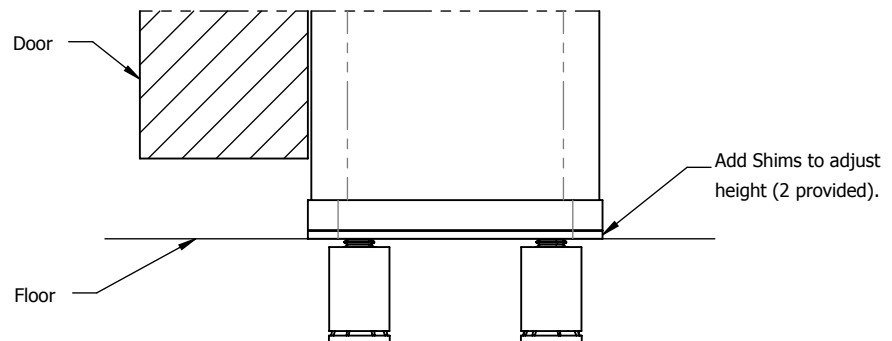
Align, mark hole locations, and install bottom bracket:

- A. If the mullion post was removed, reinstall and align (see step 6).
- B. Once the mullion post and bottom bracket have been properly aligned, mark the four (4) hole locations.
- C. Carefully remove the mullion post and the bottom bracket.
- D. Drill and prepare the mounting holes as needed for the type of floor.
- E. If using the provided machine screw anchors for masonry applications, drill a 5/8" diameter hole by 1-1/8" deep. Use standard practices for installing and securing the anchor.
- F. Secure the bottom bracket to the floor using the four (4) 5/16"-18 x 1-1/2" hex socket countersunk screws.



STEP NINE

Replace the mullion post into the bottom bracket and pivot the top upward so it latches in place. The mullion post should snap firmly into the top bracket. If there is too much gap ($\frac{1}{8}$ " or more between mullion post and top bracket), install shims provided to raise the bottom bracket.



STEP TEN

The mullion is removed by inserting a Phillips screwdriver into the crosshair spindle located on the face of the top fitting. Rotate the crosshair spindle and ensure the mullion is easily removed. Reinstall mullion to make sure it smoothly snaps into place.

- A. Two (2) #10-24 machine screws are provided to secure the top fitting/mullion post to the top bracket. This will also provided added security.
- B. In place of, or in addition, a $\frac{1}{4}$ "-20 set screw is provided to also secure the top fitting/mullion post to the top bracket.

$\frac{1}{4}$ "-20 Hex Socket Head Set Screw
(Optional, use as needed to create a tight connection to top bracket or in place of #10-24 flat head screws)

