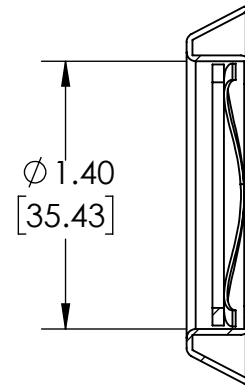
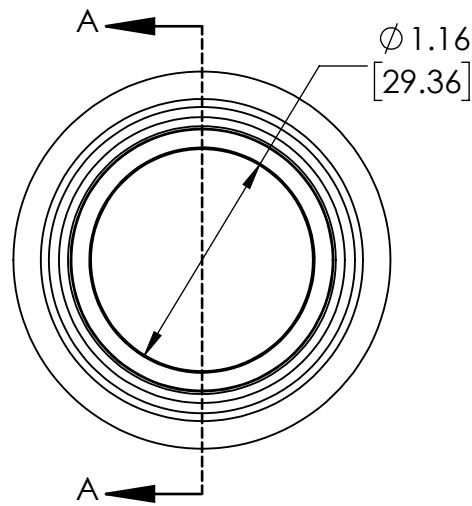
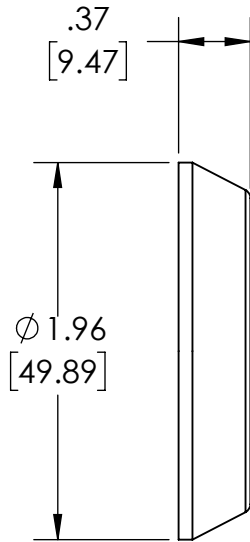
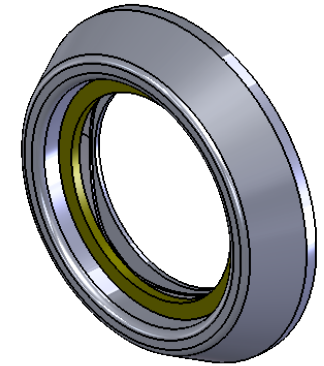



REV.	DESCRIPTION	ECO NO.	DATE
-	CREATED FOR WEB	-	11/7/2017



SECTION A-A

 <p>PROPRIETARY & CONFIDENTIAL</p> <p>THE INFORMATION CONTAINED IN THIS DRAWING IS THE SOLE PROPERTY OF HAGER COMPANIES. ANY REPRODUCTION IN PART OR AS A WHOLE WITHOUT THE WRITTEN PERMISSION OF HAGER COMPANIES IS PROHIBITED.</p>	<p>HAGER RESERVES THE RIGHT TO MAKE DESIGN CHANGES WITHOUT NOTICE. CALL HAGER ENGINEERING AT 1-800-325-9995 FOR THE LATEST REVISION DATE OF TEMPLATE.</p>	DRAWN	KJW	11/7/2017	<p>3918 TAPERED CYLINDER COLLAR</p>	
		MATERIAL	ENG. APPR.	MAM		11/7/2017
		Material <not specified>		Q.A.		
		FINISH	-		<p>TOLERANCES:</p> <p>FRACTIONAL: ±0.015"</p> <p>ANGULAR: MACH: ± 1° BEND: ±1°</p> <p>TWO PLACE DECIMAL: ±0.01"</p> <p>THREE PLACE DECIMAL: ±0.004"</p>	
DO NOT SCALE DRAWING		SCALE: 1:1		WEIGHT: 0.05	REV.	SHEET 1 OF 1