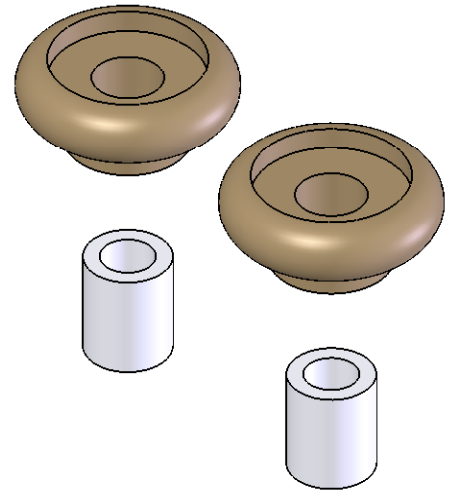
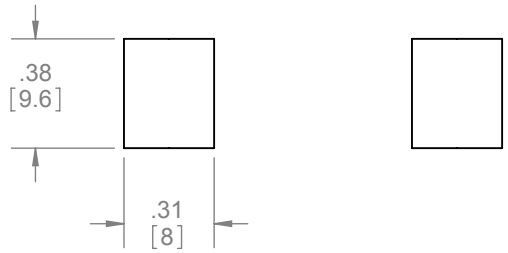
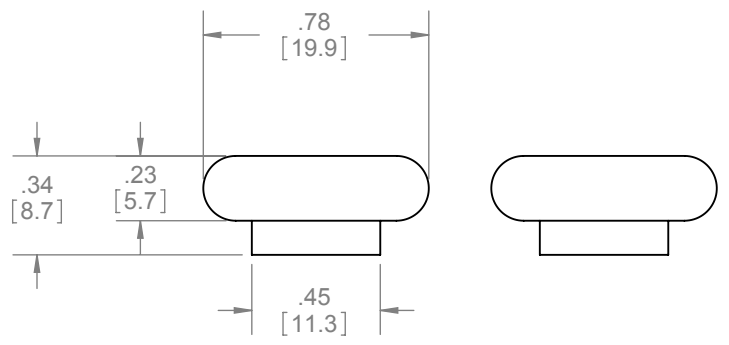
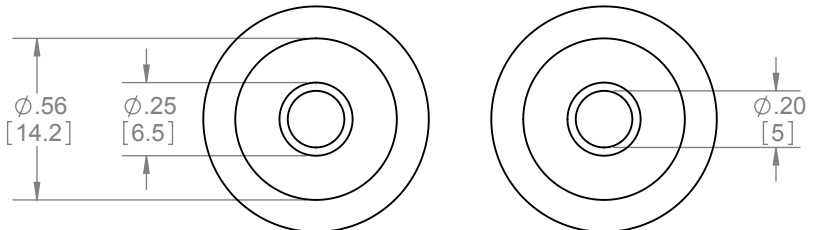


REVISIONS		
REV.	DESCRIPTION	DATE
01	NEW DRAWING FOR WEB	3/20/2008



NOTES:
 - PROPERLY SPACES TWO SINGLE TRACKS FOR 1-3/8"(44mm) DOORS
 - FOR USE WITH 9801 AND 9599 TRACK

HARDWARE INCLUDED:
 - 2PCS #8-32 x 1-1/2" CROSS PAN HEAD SCREW



PROPRIETARY & CONFIDENTIAL
 THE INFORMATION CONTAINED IN THIS DRAWING IS THE SOLE PROPERTY OF HAGER COMPANIES. ANY REPRODUCTION IN PART OR AS A WHOLE WITHOUT THE WRITTEN PERMISSION OF HAGER COMPANIES IS PROHIBITED.

HAGER RESERVES THE RIGHT TO MAKE DESIGN CHANGES WITHOUT NOTICE. CALL HAGER ENGINEERING AT 1-800-325-9995 FOR THE LATEST REVISION DATE OF TEMPLATE.

DRAWN	NJANSEN	1/24/2008
ENG. APPR.	M MCRAE	3/20/2008
MATERIAL	CELCON PLASTIC	
FINISH	NONE	
DO NOT SCALE DRAWING		

TOLERANCES:
 FRACTIONAL: ±0.015"
 ANGULAR: MACH: ± 1° BEND: ±1°
 TWO PLACE DECIMAL: ±0.01"
 THREE PLACE DECIMAL: ±0.004"

9574		TRACK SPACER KIT
S-SD00051		
SIZE	DWG. NO.	REV.
A	S-SD00051	01
SCALE:2:1	WEIGHT: 0.01	SHEET 1 OF 1