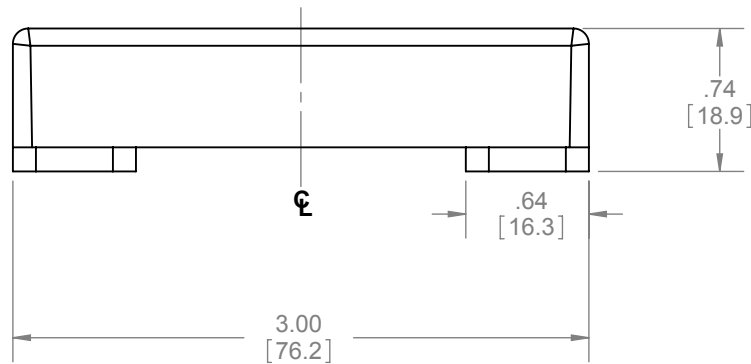
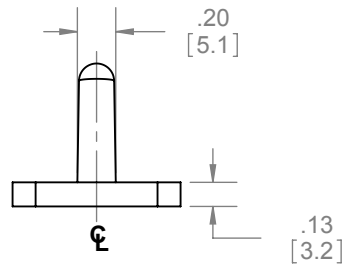
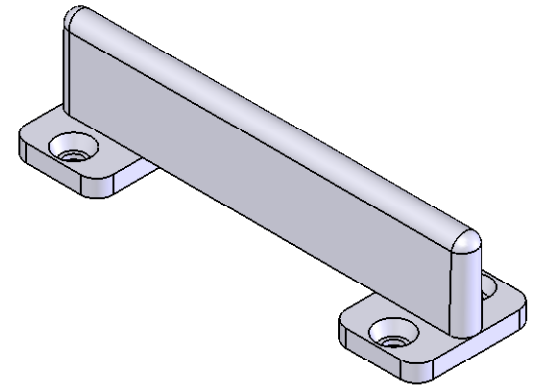
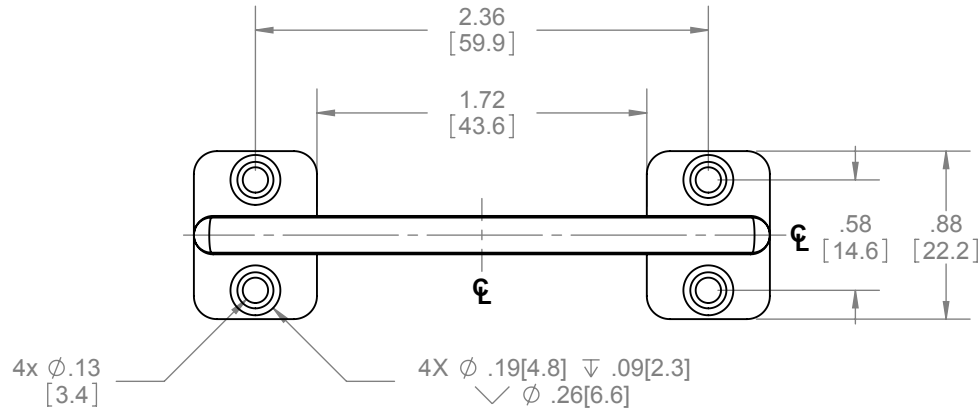


REV.	DESCRIPTION	ECO NO.	DATE
01	NEW DRAWING FOR WEB		3/20/2008




**NOTES:**

- DOOR BOTTOM PREP REQUIRES 1/4" (6.4mm) WIDE KERF AND 9/16" (14mm) DEPTH

**HARDWARE INCLUDED:**

- 4 #6-32 x 3/4" CROSS FLAT COUNTERSUNK SCREW

 <p><b>PROPRIETARY &amp; CONFIDENTIAL</b>          THE INFORMATION CONTAINED IN THIS DRAWING IS THE SOLE PROPERTY OF HAGER COMPANIES. ANY REPRODUCTION IN PART OR AS A WHOLE WITHOUT THE WRITTEN PERMISSION OF HAGER COMPANIES IS PROHIBITED.</p>	<p>HAGER RESERVES THE RIGHT TO MAKE DESIGN CHANGES WITHOUT NOTICE. CALL HAGER ENGINEERING AT 1-800-325-9995 FOR THE LATEST REVISION DATE OF TEMPLATE.</p>	DRAWN	NJANSEN	2/18/2008	<p>9115 BOTTOM GUIDE</p>				
		ENG. APPR.	M MCRAE	3/20/2008					
		MATERIAL	DIE CAST ZINC ALUMINUM ALLOY			Q.A.	<p>TOLERANCES:          FRACTIONAL: <math>\pm</math>0.015"          ANGULAR: MACH: <math>\pm</math> 1° BEND: <math>\pm</math>1°          TWO PLACE DECIMAL: <math>\pm</math>0.01"          THREE PLACE DECIMAL: <math>\pm</math>0.004"</p>		
		FINISH	CLEAR			DO NOT SCALE DRAWING			
<p>SIZE DWG. NO.</p> <p><b>A</b> S-SD00068</p>		<p>SCALE: 1:1</p>		<p>WEIGHT: 0.04</p>		<p>REV. 01</p>			
<p>SHEET 1 OF 1</p>									