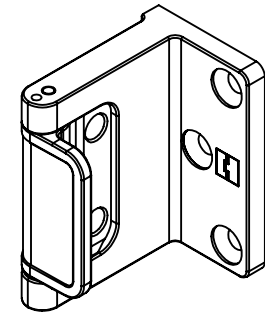
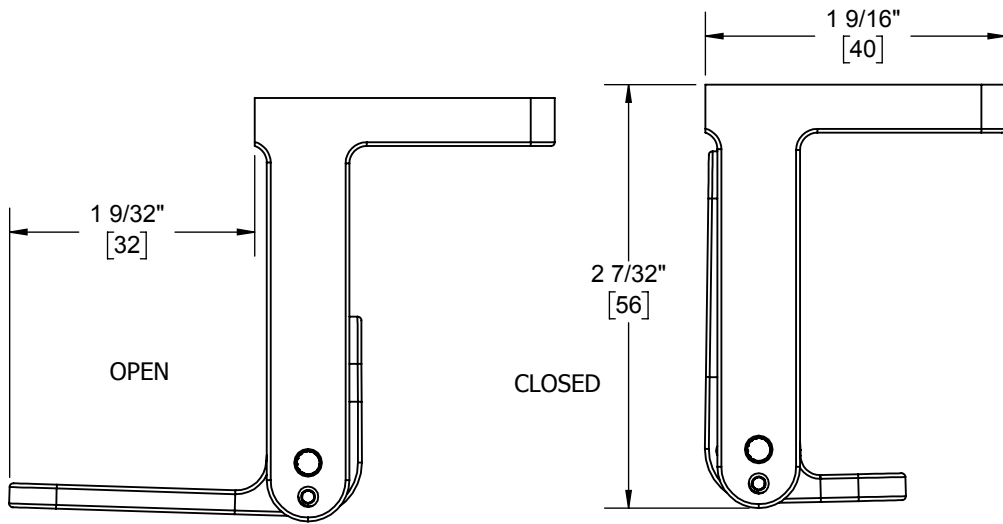
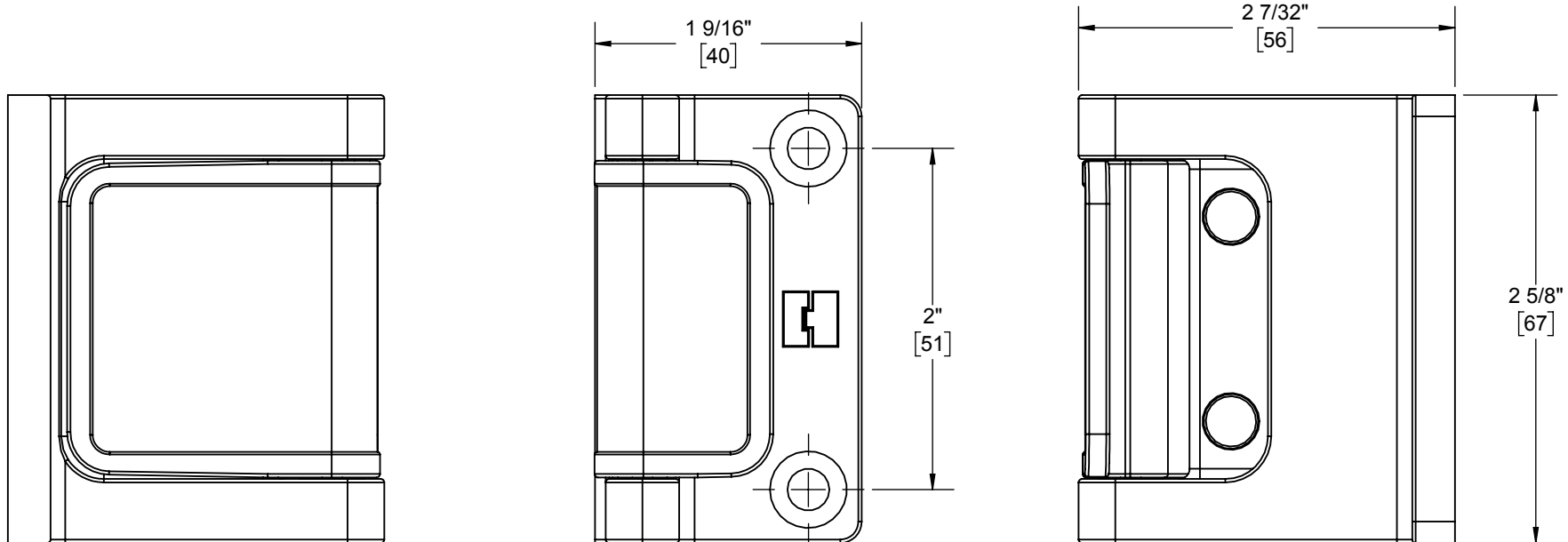


REV.	DESCRIPTION	ECO NO.	DATE
-	CREATED FOR CUSTOMER		7/7/2017



SCALE 1:2



HAGER RESERVES THE RIGHT TO MAKE DESIGN CHANGES WITHOUT NOTICE. CALL HAGER ENGINEERING AT 1-800-325-9995 FOR THE LATEST REVISION DATE OF TEMPLATE.

PRIMARY DIMENSIONS SHOWN IN INCHES, DIMENSIONS IN [ ] ARE MILLIMETERS.

DRAWN	KJW	7/7/2017
ENG. APPR.	MAM	7/7/2017
MATERIAL	Q.A.	
FINISH	CUSTOMER SPECIFIED	
DO NOT SCALE DRAWING		
TOLERANCES: FRACTIONAL: ±0.015" ANGULAR: MACH: ± 1° BEND: ±1° TWO PLACE DECIMAL: ±0.01" THREE PLACE DECIMAL: ±0.004"		

277D PRIVACY DOOR LATCH		REV.	-
SIZE	DWG. NO.		
A	S-TA01219		
SCALE: 1:1	WEIGHT: 0.69	SHEET 1 OF 1	