

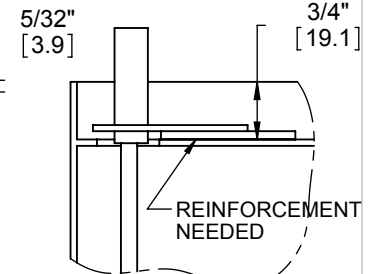
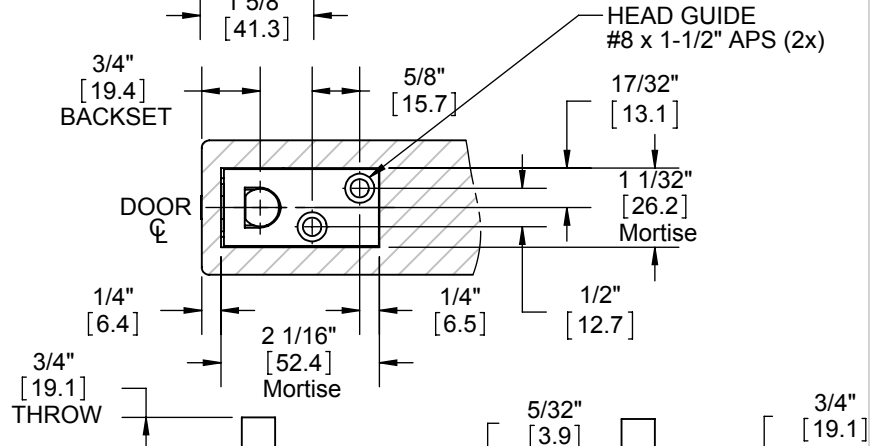
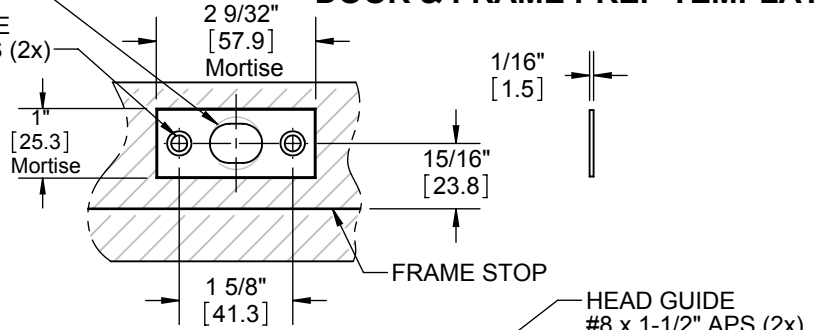
NOTES:

- 282D HAS A 3 HR FIRE RATING FOR METAL DOORS UP TO 4 FT. WIDE X 10 FT. TALL.
- DIMENSIONS SHOWN ON TEMPLATE ARE FOR TOP FLUSH BOLTS. FOR BOTTOM FLUSH BOLTS INVERT & MEASURE FROM BOTTOM EDGE OF THE DOOR.

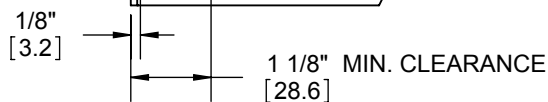
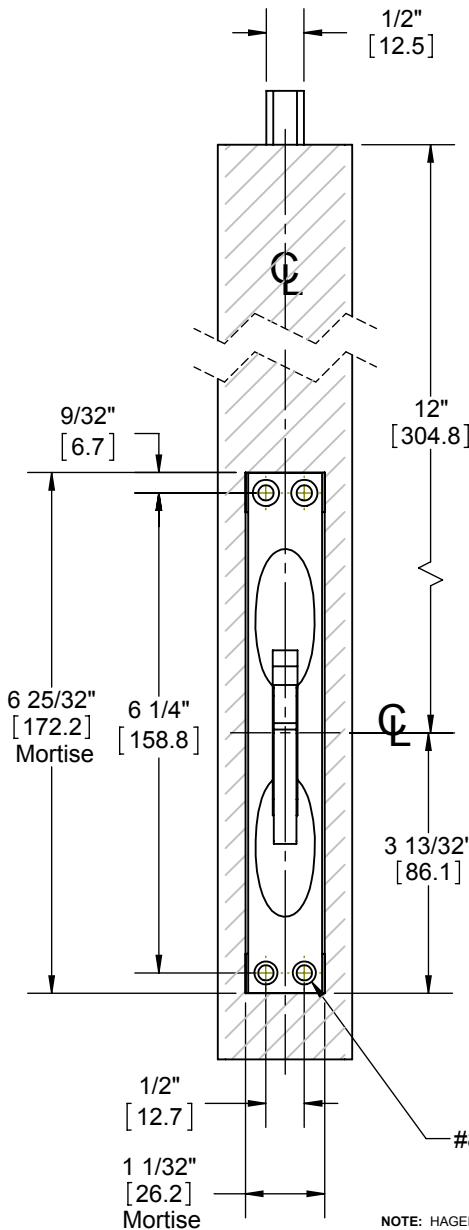
282D MANUAL FLUSHBOLT DOOR & FRAME PREP TEMPLATE

DRILL $\varnothing 3/4"$ HOLE
3/4" DEEP

FRAME STRIKE
#8 x 1-1/2" APS (2x)



DOOR WITH RECESSED TOP OR BOTTOM



NOTE: HAGER RESERVES THE RIGHT TO MAKE PART CHANGES AND IS NOT RESPONSIBLE FOR OBSOLETE DRAWING ERRORS. TO ENSURE YOUR DRAWING IS CURRENT VISIT WWW.HAGERCO.COM.



NOT TO SCALE
DIMENSIONS IN [] ARE IN MILLIMETERS