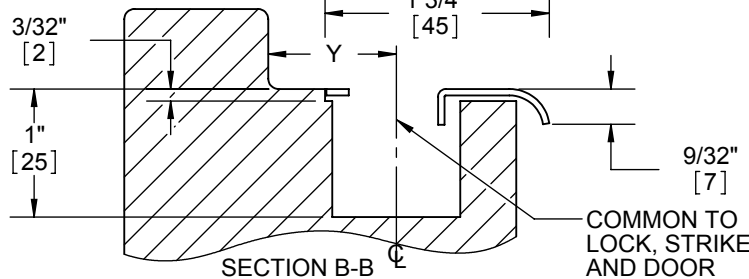
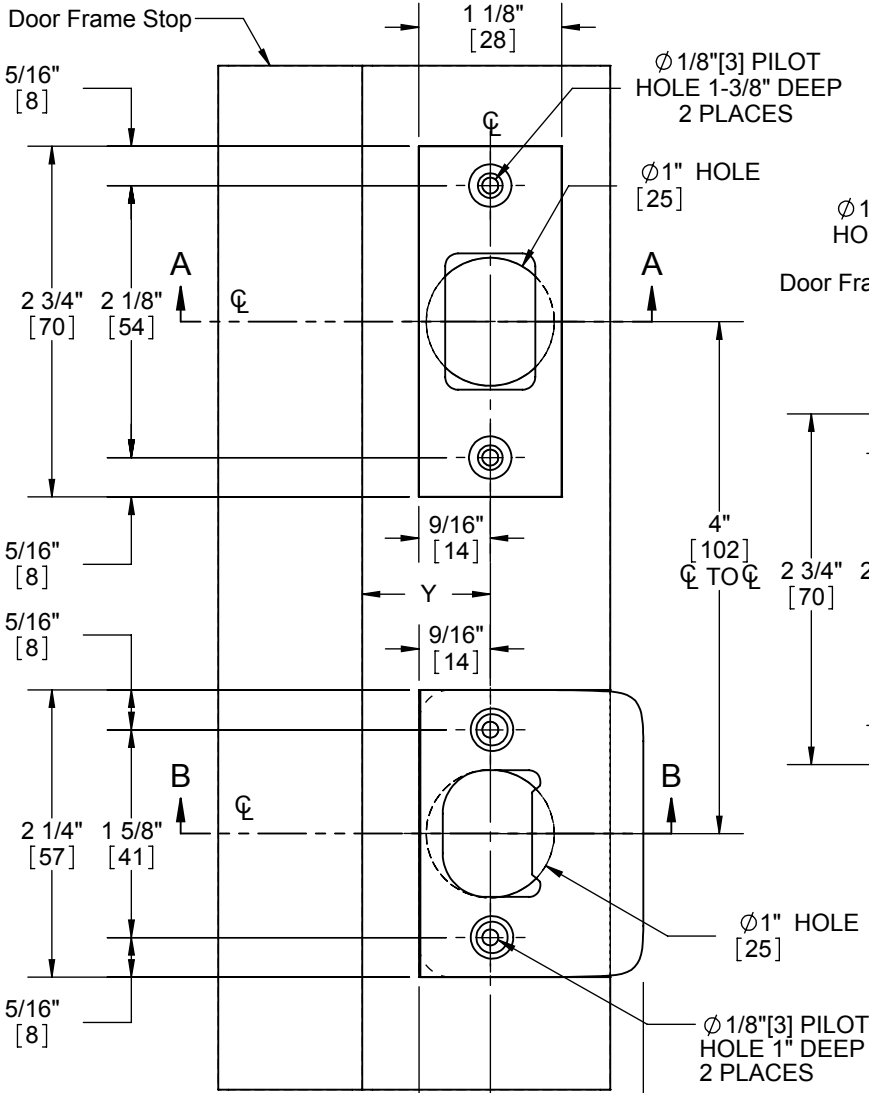
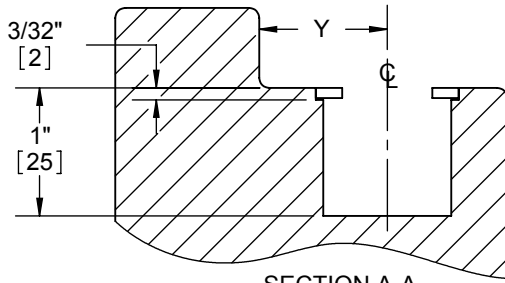
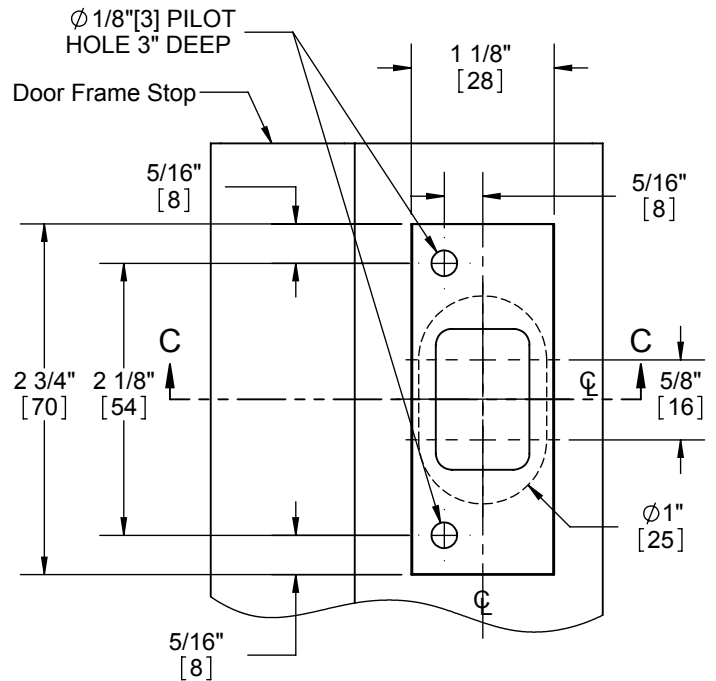
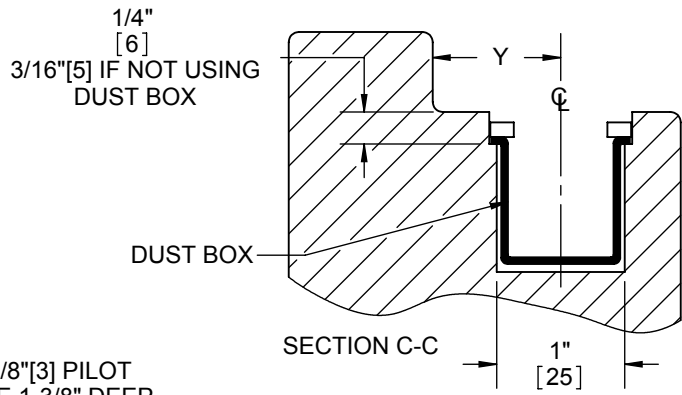


STANDARD INSTALLATION



REINFORCER/ DUST BOX INSTALLATION



NOTES:

1. DIMENSION "Y" IS A FUNCTION OF DOOR THICKNESS.
2. TEMPLATE CAN BE USED WITH SQUARE CORNER FULL LIP STRIKE OR 1/4" RADIUS FULL LIP STRIKE.
3. STRIKE LOCATION MUST BE CHANGED RELATIVE TO THICKNESS OF DOOR SILENCER OR WEATHERSTRIPPING WHEN USED.



HAGER RESERVES THE RIGHT TO MAKE DESIGN CHANGES WITHOUT NOTICE. CALL HAGER ENGINEERING AT 1-800-325-9995 FOR THE LATEST REVISION DATE OF TEMPLATE.

PRIMARY DIMENSIONS SHOWN IN INCHES, DIMENSIONS IN [] ARE MILLIMETERS.

MATERIAL	Material <not specified>
FINISH	-
DO NOT SCALE DRAWING	

DRAWN	MRJ	12/06/2007
ENG. APPR.	-	-
TOLERANCES:		
FRACTIONAL: ± 0.015 "		
ANGULAR: MACH: $\pm 1^\circ$ BEND: $\pm 1^\circ$		
TWO PLACE DECIMAL: ± 0.01 "		
THREE PLACE DECIMAL: ± 0.004 "		

3700		WOOD JAMB PREP TEMP WITH FULL LIP STRIKE	
SIZE	DWG. NO.	REV.	
A	T-LS00161	03	
SCALE: 1:2	WEIGHT: 1.96	SHEET 1 OF 1	