

NOTES:

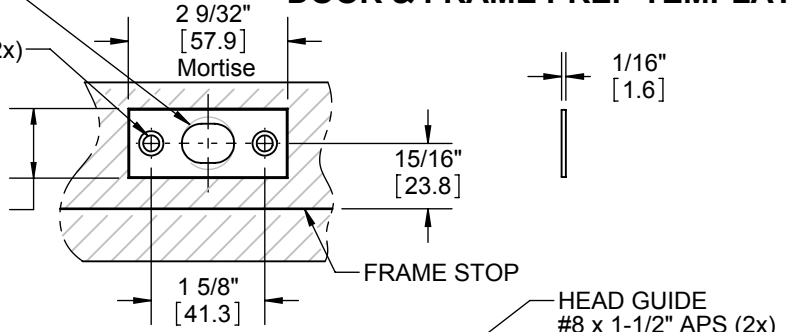
- 282D HAS A 3 HR FIRE RATING FOR METAL DOORS UP TO 4 FT. WIDE X 10 FT. TALL.
- DIMENSIONS SHOWN ON TEMPLATE ARE FOR TOP FLUSH BOLTS. FOR BOTTOM FLUSH BOLTS INVERT & MEASURE FROM BOTTOM EDGE OF THE DOOR.

282D MANUAL FLUSHBOLT DOOR & FRAME PREP TEMPLATE

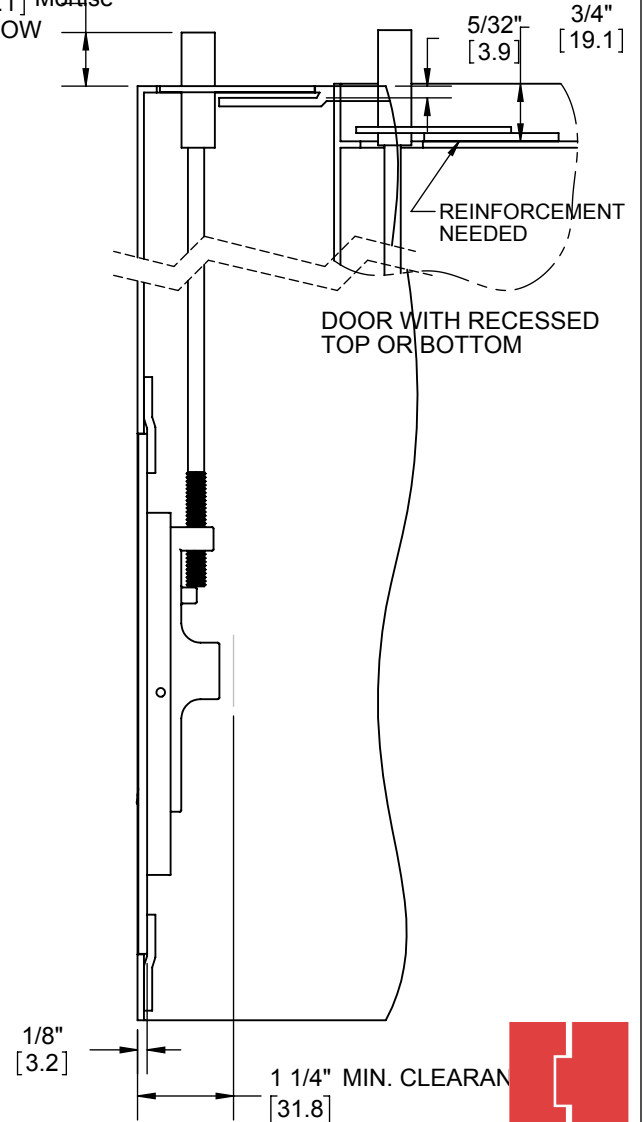
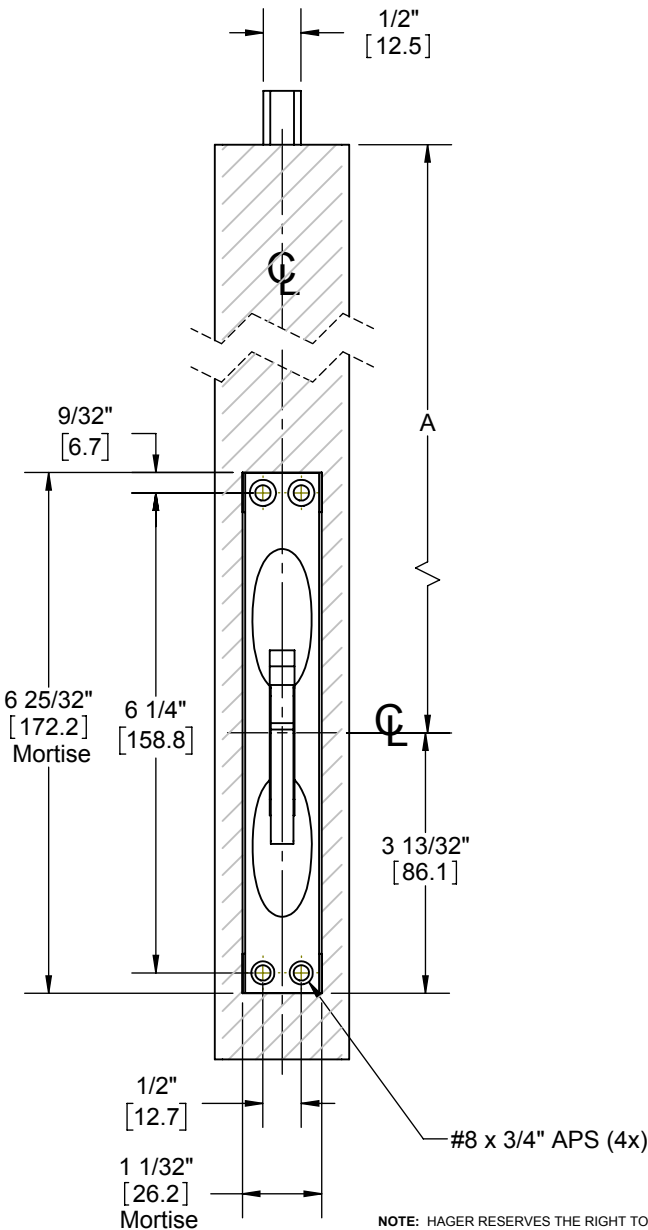
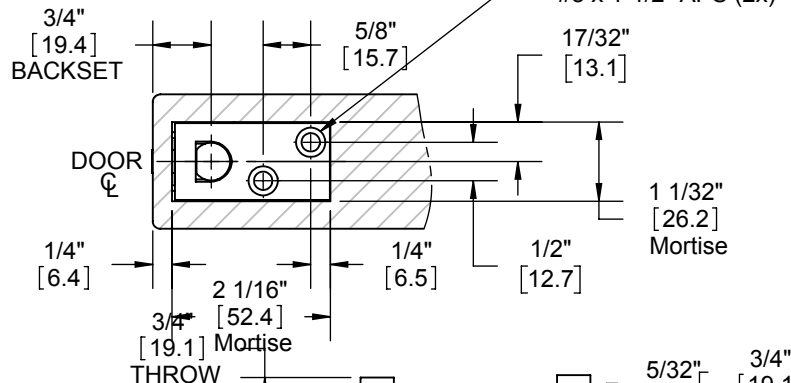
DRILL $\varnothing 3/4"$ HOLE
3/4" DEEP

FRAME STRIKE
#8 x 1-1/2" APS (2x)

1"
[25.3]
Mortise



A	ROD LENGTHS
12" [304.8]	STANDARD 12"
18" [457.2]	OPTIONAL 18"
25" [635]	OPTIONAL 25"
30" [762]	OPTIONAL 30"



NOTE: HAGER RESERVES THE RIGHT TO MAKE PART CHANGES AND IS NOT RESPONSIBLE FOR OBSOLETE DRAWING ERRORS. TO ENSURE YOUR DRAWING IS CURRENT VISIT WWW.HAGERCO.COM.

NOT TO SCALE

DIMENSIONS IN [] ARE IN MILLIMETERS

