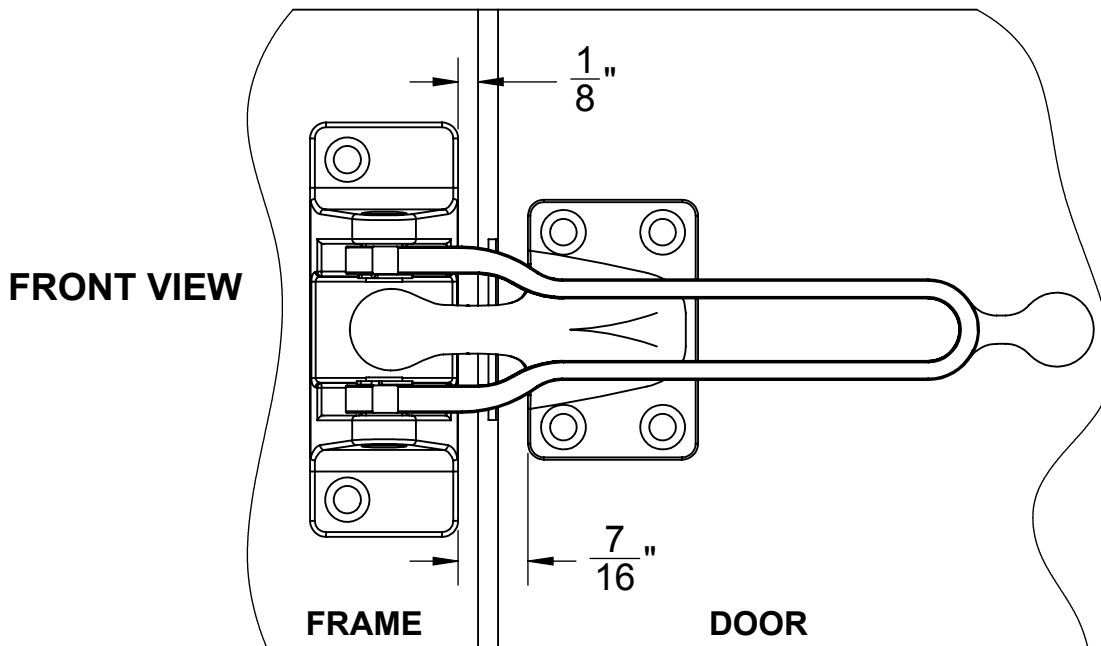
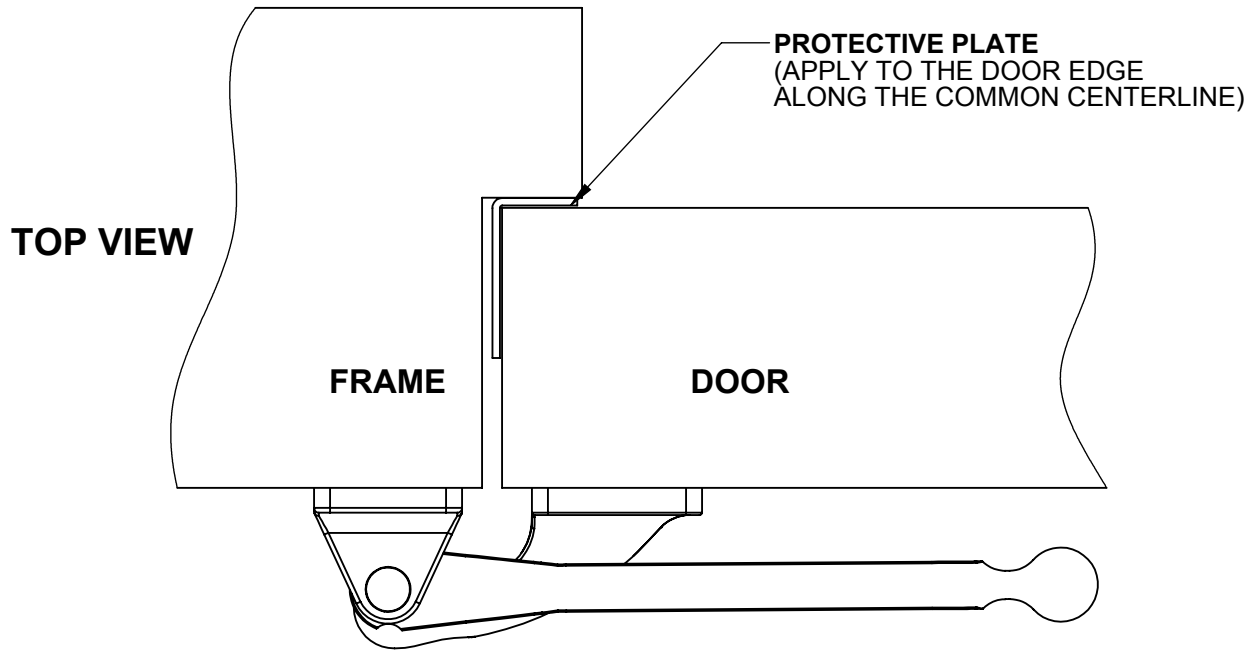


# 274D DOOR GUARD DOOR & FRAME PREP TEMPLATE



1. USING (3) #6 x 1-1/2" SCREWS, MOUNT THE SWING ARM BRACKET TO THE FRAME WITH THE BRACKET POSITIONED 1/8" [3] IN FROM THE EDGE OF THE FRAME.
2. USING (4) #6 x 3/4" SCREWS, MOUNT THE HOOK ONTO THE DOOR POSITIONING THE HOOK BASE 7/16" [11] AWAY FROM THE SWING ARM BRACKET (SHOWN ABOVE).
3. CHECK FOR PROPER ALIGNMENT BY SWINGING THE DOOR OPEN (HOOK SHOULD NOT COLLIDE WITH SWING ARM BRACKET)
4. MOUNT THE PROTECTION PLATE TO THE DOOR EDGE USING ADHESIVE BACKING.

