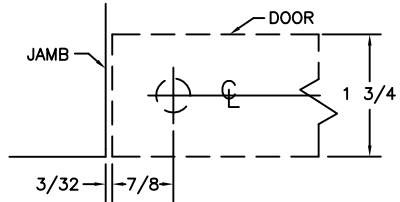
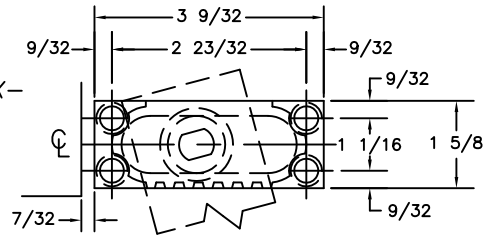
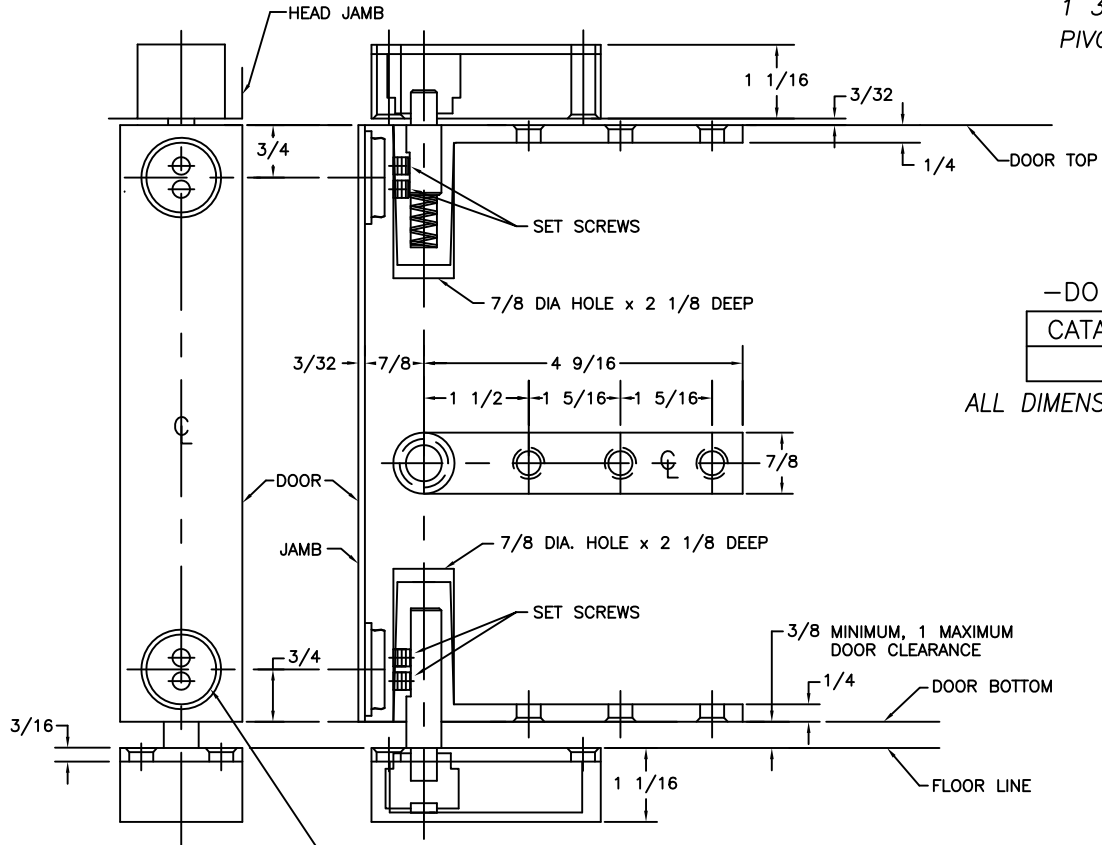


HEAD GEAR BOX-
PLAN VIEW



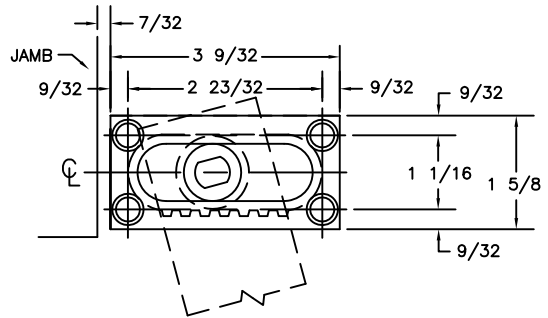
1 3/4 THICK DOOR-
PIVOT LOCATION



-DO NOT SCALE-
CATALOG NUMBER
0551

ALL DIMENSIONS ARE IN INCHES.

1 DIA ACCESS HOLE- 1 1/8 DIA COUNTERBORE x 1/16 DEEP
TO SEAT SNAP-IN CLOSURE- 2 PLACES



BOTTOM GEAR BOX-
PLAN VIEW

Machine Screw Size: Door Mount Pivots- 12-24 x 1/2" F.H.
Head Gear Box- 12-24 x 1" F.H.
Wood Screw Size for door mount pivots and gear boxes- No. 12 x 1 1/4" F.H.
Plastic cinch anchors furnished for masonry floors.

HAGER COMPANIES
139 Victor Street
St. Louis, MO 63104
1-800-325-9995

HAGER RESERVES THE RIGHT TO MAKE
DESIGN CHANGES WITHOUT NOTICE

DESCRIPTION:				PART NO.
TEMPLATE				
NO.	REVISION	BY	DATE	T-0551
2	ECO CT08029	SLJ	09.26.08	