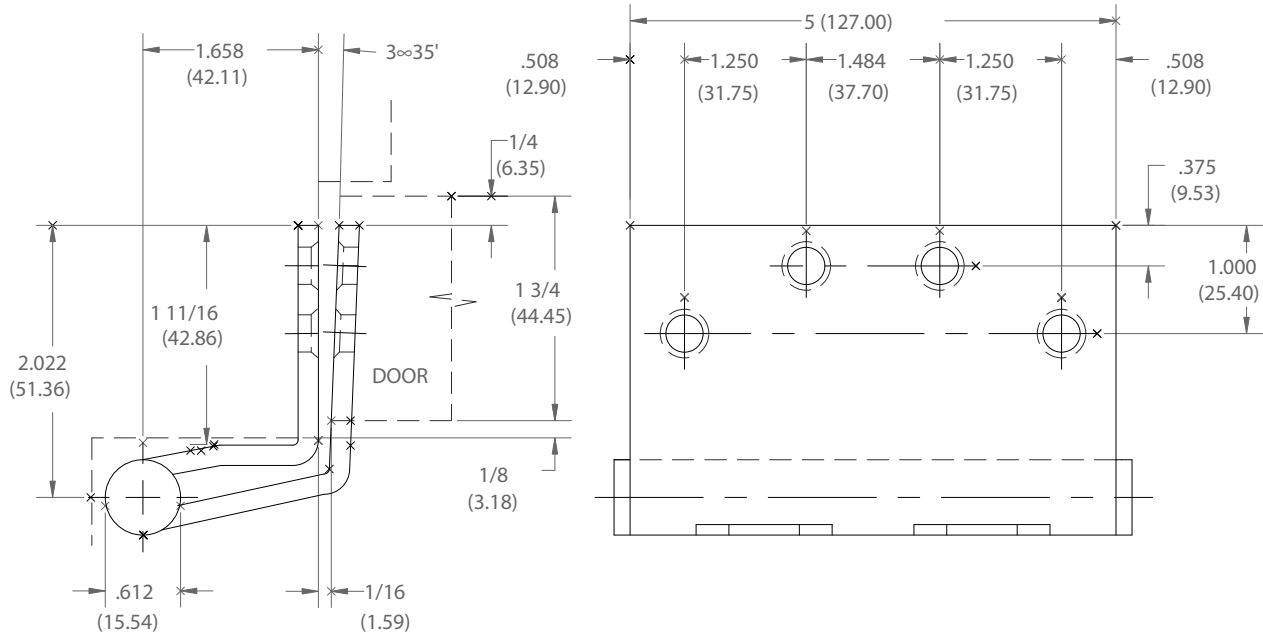


FULL MORTISE
SWING CLEAR
TEMPLATE HINGES

Template No. T 373
Rev. '96

SIZE: 5 (127.00)

FOR BEVELED EDGE DOORS



-DO NOT SCALE-

CATALOG NUMBER	METAL GAUGE
STEEL HINGES	
BB1261	.1395 (3.54)
AB7002	.1395 (3.54)

ALL NON-BRACKETED DIMENSIONS ARE IN INCHES, ALL BRACKETED DIMENSIONS ARE IN MILLIMETERS.

Machine Screw Size- 12-24 x 1/2" F.H.

Wood Screw Size- No. 12 x 1 1/4" F.H.

Designed to swing doors completely clear of the opening when door is opened 95°. When opened 90°, door projects 3/32 (2.38) past stop of jamb.

NOTE: This template is used for beveled edge doors only- 1/8 (3.18) bevel in 2 (50.80).

Recommended for doors not to exceed 150 lbs. (68.04 kg) 3'-0" x 7'-0" (914.40 x 2133.60).

See Template No. T371 for square edge doors.

NOTE: This hinge alters the normal pivot point of door. For door closers, friction or overhead door holders to be used in conjunction with this hinge, consult manufacturer of the device for application details.



Hospital type template hinges conform to the above screw size and location. They are designated by "HT" to catalog number.

Hager template hinges are made with screw holes located to conform to ANSI-A156.7.

HAGER RESERVES THE RIGHT TO MAKE DESIGN CHANGES WITHOUT NOTICE. CALL HAGER ENGINEERING AT 1-800-325-9995 FOR LATEST REVISION DATE OF TEMPLATE.

HAGER COMPANIES
139 VICTOR STREET
P.O. BOX 12300
ST. LOUIS, MISSOURI 63157-0300

Template No. T 373