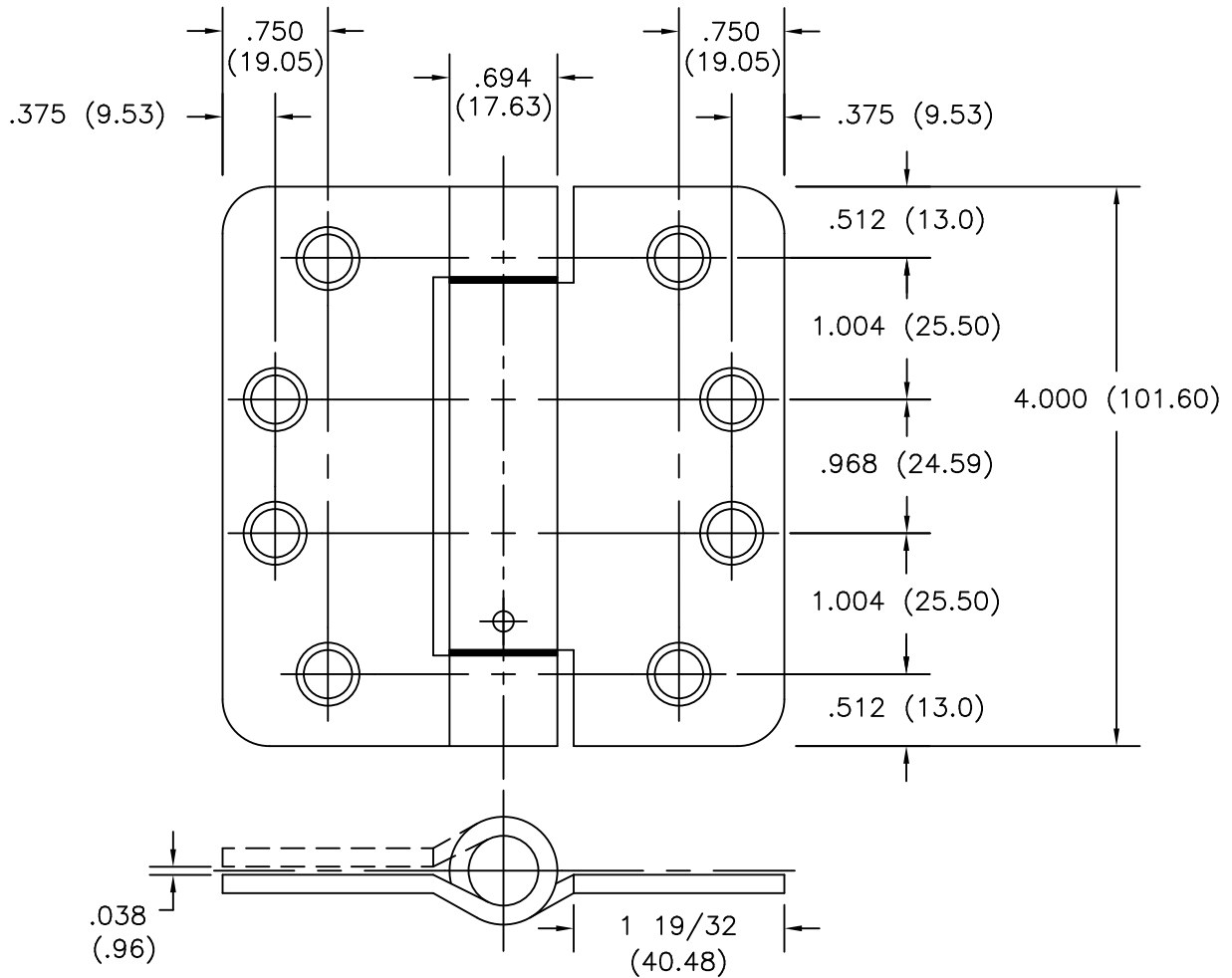


FULL MORTISE RESIDENTIAL
SINGLE ACTING SPRING
TEMPLATE HINGES

Template No. T408

No.	REVISION	BY	DATE
2	ECO RS12010	MM	08-28-12

SIZE: 4 x 4
(101.60 x 101.60)



CATALOG NUMBER		TYPICAL CORNER RADII	METAL GAUGE
STAINLESS STEEL HINGES	STEEL HINGES		
1734	1744	1/4 (6.35)	.106 (2.70)

ALL NON-BRACKETED DIMENSIONS ARE IN INCHES, ALL BRACKETED DIMENSIONS ARE IN MILLIMETERS.

-DO NOT SCALE-

Hager testing conforms to ANSI-A156.17.



HAGER RESERVES THE RIGHT TO MAKE
DESIGN CHANGES WITHOUT NOTICE. CALL
HAGER ENGINEERING AT 1-800-325-9995
FOR LATEST REVISION DATE OF TEMPLATE.

HAGER COMPANIES
139 VICTOR STREET
P.O. BOX 12300
ST. LOUIS, MISSOURI 63157-0300