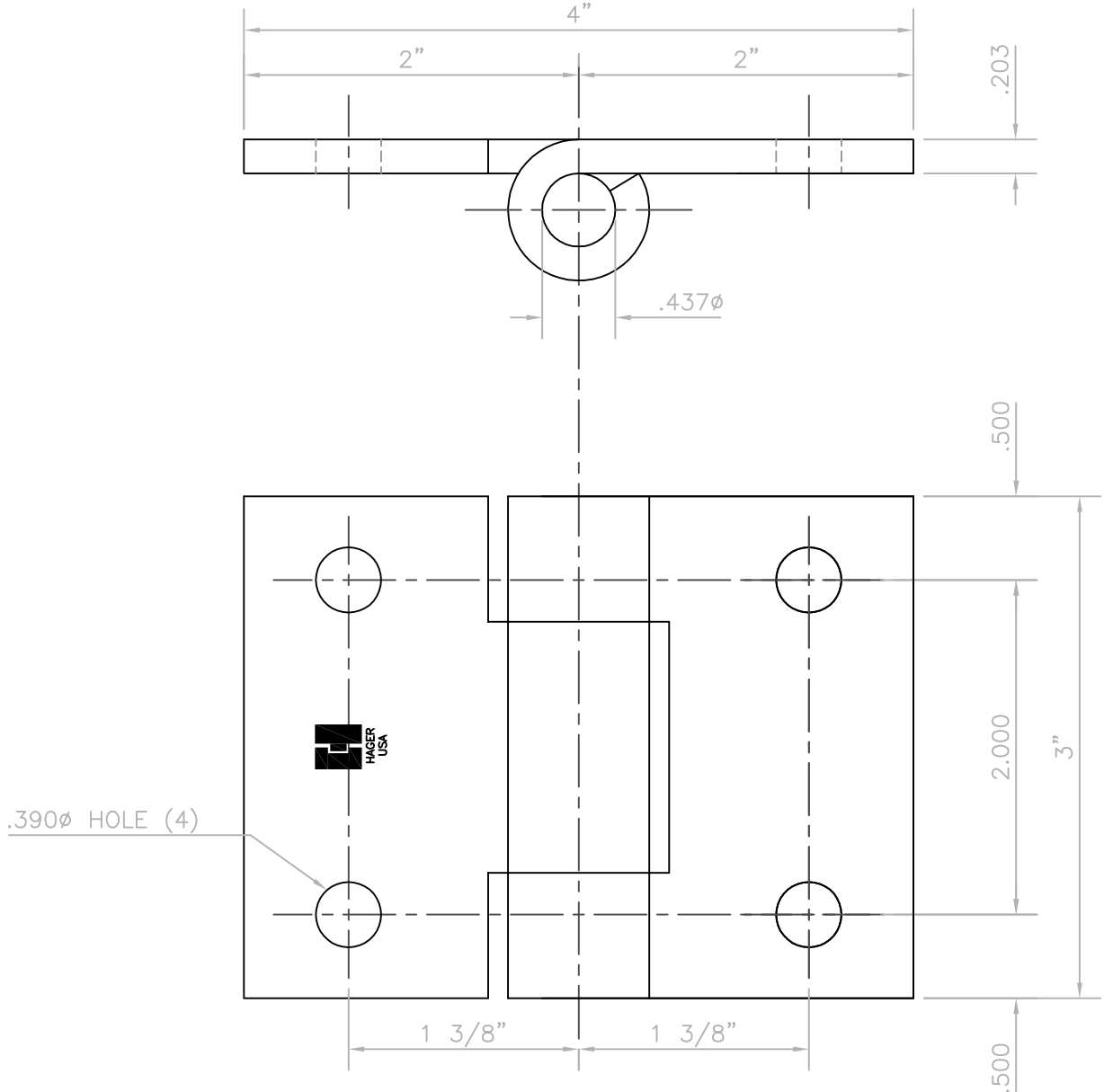


Template No. T 620

CUSTOMER _____
 CUSTOMER P.O. # _____
 HAGER # _____

Template No. T 620
 Rev. -

TEMPLATE
 PRISON FULL SURFACE UTILITY HINGE
 3 X 4



CLASS NUMBER	GAUGE OF METAL	PIN DIA.	KNUCKLE DIA.
STEEL HINGES			
990	.203	.437	.859

MACHINE BOLT SIZE: 1" X 16-3/8 TORX BUTTON HEAD BOLT



HAGER®

Template No. T 620

Template No. T 620

HAGER HINGE CO.
 139 Victor St.
 St. Louis, MO 63104