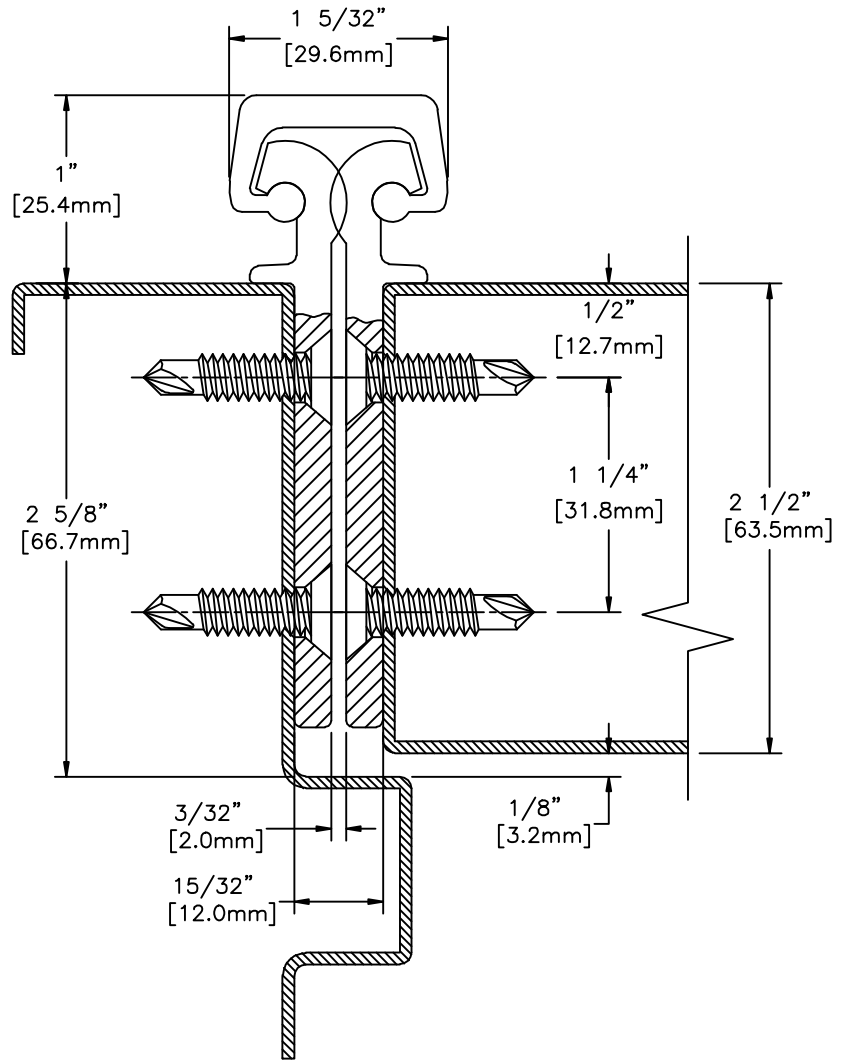



C'SINK 82' X .535"  
FOR 1/4" FLAT HEAD  
SCREW (66 PLACES).



**This application is intended for square edged doors only. For beveled edge doors, refer to the General Information section titled Door and Frame Dimensioning - Concealed Models**

 <b>HAGER COMPANIES</b> HIGHWAY 78 WEST P.O. BOX 3368 OXFORD, ALABAMA 36203						
				1200-650 119" HD		
DATE	03-23-04	REV.	DR.	MRD	SCALE	None
FILENAME	z:\roton\template\standard\1200-650.dwg					
DRAWING NO. TS650119000000001						