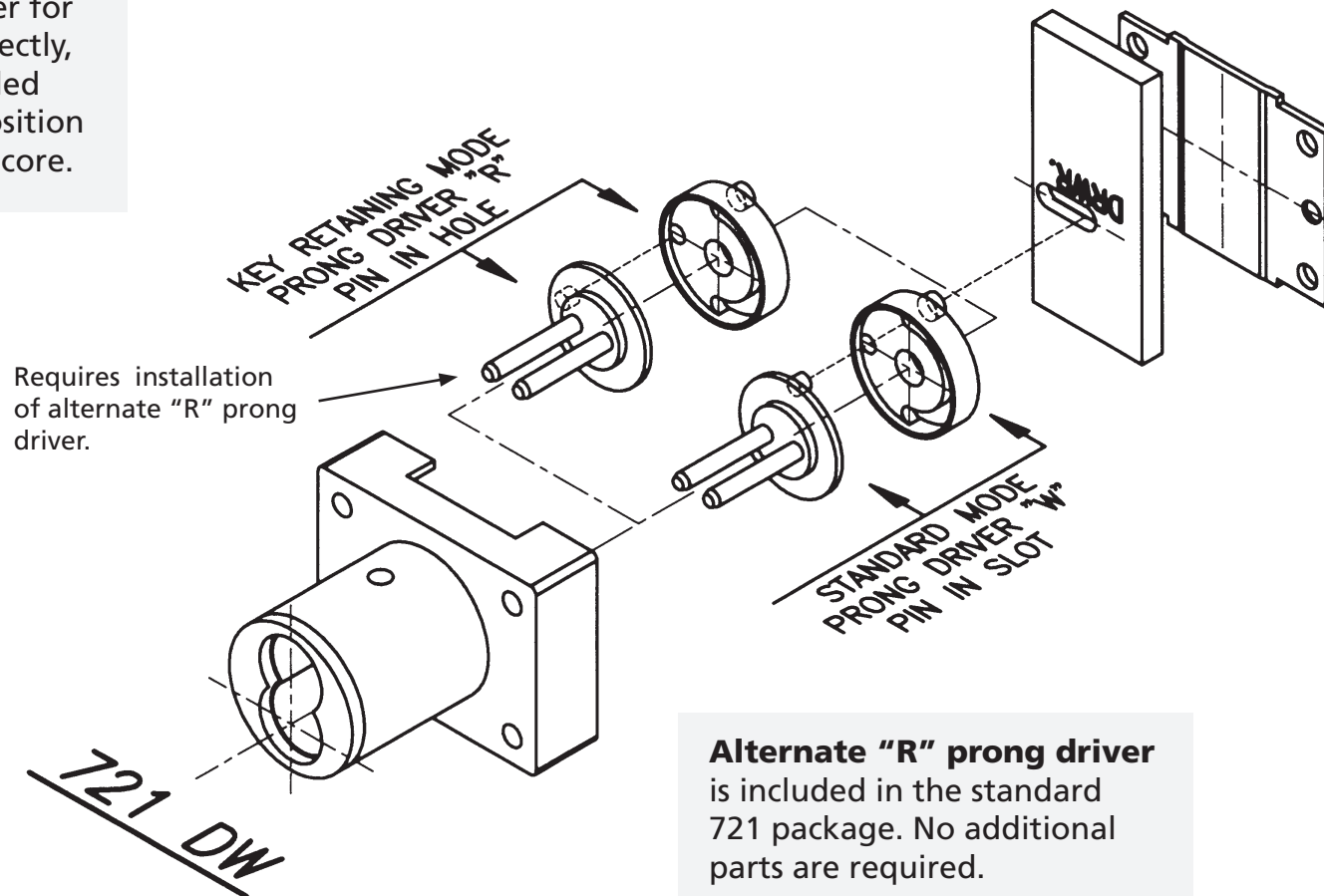


## 721DW Key-Retaining Conversion

For converting standard function 721DW to key-retaining function.

**Key-retaining function:**  
key removable in the  
locked position only.

**IMPORTANT:** In order for lock to function correctly, the lock must be cycled into the "locked" position before inserting the core.



**Alternate "R" prong driver** is included in the standard 721 package. No additional parts are required.