

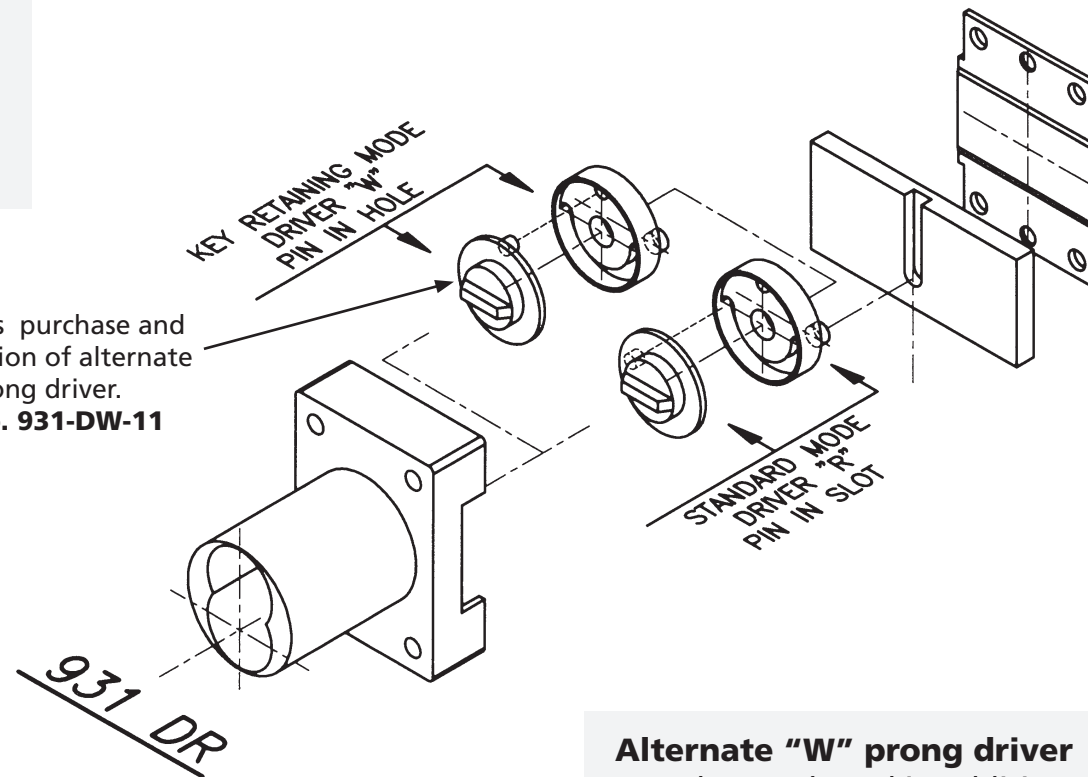
931DR Key-Retaining Conversion

For converting standard function 931DR to key-retaining function.

Key-retaining function:
key removable in the
locked position only.

IMPORTANT: In order for lock to function correctly, the lock must be cycled into the "locked" position before inserting the core.

Requires purchase and installation of alternate "W" prong driver.
Part No. 931-DW-11



Alternate "W" prong driver must be purchased in addition to the lock in order to convert to key retaining function.