

100/200 :: Deadbolt Lock

GENERAL FEATURES:

Keying: Can be keyed together with other N Series locks

Rekeyable: Easily rekeyable via set screw cylinder release mechanism

ANSI/BHMA: Tested to ANSI/BHMA A156.11 Grade 1 cycle testing. Withstood in excess of 40,000 cycles with no damage. All other requirements of ANSI/BHMA A 156.11, no less than Grade 2 performance was attained.

US Patent Nos: 4,899,563; 4,920,774

Body: Zinc die cast lock body

Cylinder: Solid brass pin tumbler cylinder

Barrel diameter: 7/8"

100DR includes: 56-1 bar strike

200DW includes: 12-3 angle strike

Finish: 26D, US4 or 10B

Packaged: Packed 10 per box

KEYING INFORMATION:

Keyway: National D4291 (4 pin) or D4292 (5 pin) keyway

Stock keying: KD/KA - 4 pin standard

Stock KA#: 101, 103, 107, 915

Masterkeying: 5 pin standard

Keyblank 4-pin: KBN-4-NP

(equivalent to NA14, 1069L)

Keyblank 5-pin: KBN-5-NP

(equivalent to NA12, 1069LA)



100DR
DOOR



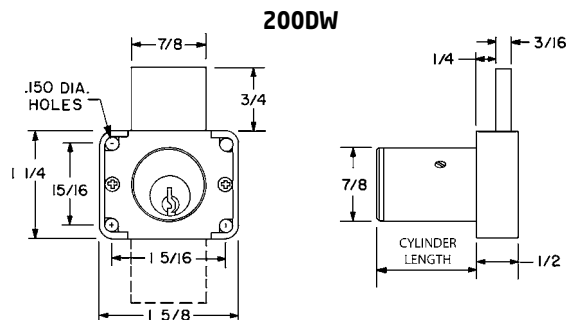
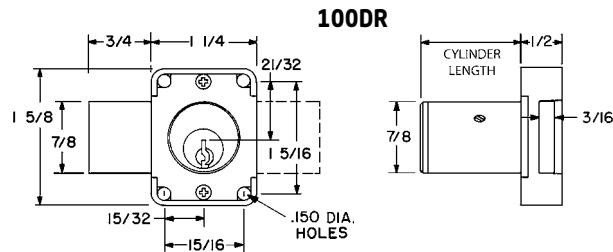
200DW
DRAWER

Item	Function	Finish	Cyl. Length	Type	Keying
100DR	Door	26D, US4, 10B	15/16"	Deadbolt	KD, KA# 101,103,107,915 Custom Keyed
100DR	Door	26D, US4	1-3/8"	Deadbolt	
Key-Retaining: Specify item 100KL for left-hand doors and 100KR for right-hand doors.					

Item	Function	Finish	Cyl. Length	Type	Keying
200DW	Drawer	26D, US4, 10B	15/16"	Deadbolt	KD, KA# 101,103,107,915 Custom Keyed
200DW	Drawer	26D, US4, 10B	1-3/8"	Deadbolt	
200DW	Drawer	26D	1-5/8"	Deadbolt	
Key-Retaining: Specify item 200KI for inverted drawers and 200KV for vertical drawers.					

ACCESSORIES: For a complete list, see the accessories section of this catalog.

- > WP21 spacer (3/32" thickness)
- > WP22 spacer (1/4" thickness)
- > WP23 spacer (1/2" thickness)
- > 07S, 12-1, 12-2, 12-4, 56-1 strikes
- > TR1256 trim rings
- > Through-bolt plate ETS2, trim pull ETS2-PL and template ETST2 for through-bolt mount



KEY-RETAINING CHART

