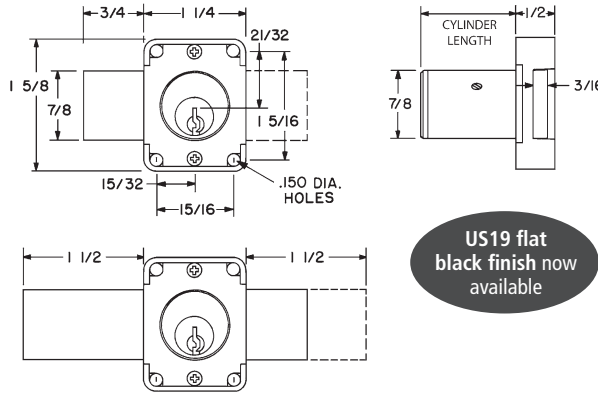


► 100DR | 100B | 100M Deadbolt Lock



ANSI/BHMA
A156.11 Grade 1
E07121

Woodwork Institute
(WI) acknowledged
product



US19 flat
black finish now
available

LB: Long bolt option

100DR

Function: Standard function lock

Includes: 2 keys, 56-1 bar strike, and lock mounting screws

100B - Weather Resistant

Function: Weather resistant construction. Suitable for outdoor use in covered areas only.

Includes: 2 keys, 56-1 bar strike, and lock mounting screws

100DR

Item	Function	Finish	Cyl. Length	Keying
100DR	Door	26D, US4, 10B, US19	15/16"	KD, KA 101,103,107,915
100DR	Door	26D, US4, 10B	1-3/8"	KA 51001,51002,51003,51004*note Custom keyed
Key-retaining:		Specify item 100KL for left-hand doors and 100KR for right-hand doors. (KL and KR designation are <i>only required for key retaining locks</i>).		
Long bolt:		Specify LB for long bolt installed in lock.		

100B - B Series (Weather Resistant)

Item	Function	Finish	Cyl. Length	Keying
100B	Door	26D, US4, 10B, US19	15/16"	KD, KA 101,103,107,915
100B	Door	26D, US4, 10B	1-3/8"	KA 51001,51002,51003,51004*note Custom keyed
Key-retaining:		Specify item 100BKL for left-hand doors and 100BKR for right-hand doors. (BKL and BKR designation are <i>only required for key retaining B Series locks</i>).		
Long bolt:		Specify LB for long bolt installed in lock.		

100M - MRI Function (Non-Magnetic)

Item	Function	Finish	Cyl. Length	Keying
100M	Door	26D	15/16" or 1-3/8"	KD, KA 101,103,107,915 KA 51001,51002,51003,51004*note Custom keyed
Key-retaining (MRI):		Specify item 100MKL for left-hand doors and 100MKR for right-hand doors. (MKL and MKR designation are <i>only required for key retaining MRI locks</i>).		
Long bolt:		Specify LB for long bolt installed in lock.		

*note KA# 51001, 51002, 51003 and 51004 available in US26D finish only

SPECIFICATIONS

Keying: Can be keyed together with other N Series locks

Rekeyable: Easily rekeyable via set screw cylinder release mechanism

ANSI/BHMA: Passed ANSI/BHMA A156.11 Grade 1 performance requirements. Equivalent to E07121(100DR) / E07041(200DW).

Standard function: Key removable in locked or unlocked position. Standard function locks are non-handed.

Key-retaining: Key removable in locked position only. Specify handing (KL/KR for doors or KI/KV for drawers) when ordering.

US Patent Nos: 4,899,563; 4,920,774

Body: Zinc die cast

Cylinder: Solid brass, pin tumbler

Cylinder length: 15/16" or 1-3/8"

Barrel diameter: 7/8"

Finish: 26D, US4, 10B or US19

Packaged: Packed 10 per box

KEYING INFORMATION

Keyway: N Series (equivalent to National D4291 4-pin or D4292 5-pin system)

Keys: Includes 2 keys per lock

Stock keying: KD/KA - 4 pin standard

Stock KA#: 101, 103, 107, 915, 51001, 51002, 51003, 51004*note

Masterkeyed: 5 pin standard

Grand masterkeyed: Available

Keyblank 4-pin: KBN-4-NP
(equivalent to NA14, 1069L)

Keyblank 5-pin: KBN-5-NP
(equivalent to NA12, 1069LA)

Keyblank 5-pin copper plated: KBN-5B
(use with 100M/200M MRI locks)

INCLUDED ACCESSORIES

100DR/100B: 2 keys, 56-1 bar strike, and lock mounting screws

100M: 2 keys, 56-1 bar strike, and lock mounting screws (keys, components and materials are non-ferrous/non-magnetic)

OPTIONAL ACCESSORIES

See the accessories section of this catalog for a complete list.

Spacers: WP20 (3/16" thick), WP21 (3/32" thick), WP22 (1/4" thick), WP23 (1/2" thick)

Strikes: 07S, 12-1, 12-2, 12-3, 12-5, 12-4, 56-1

Trim ring: TR1256

Through-bolt hardware: ETS2 trim plate, ETS2-PL trim pull and ETST2 template

Long bolt (bolt only): 15-1-35 for use with 100DR/100B/100M

The following warning is applicable to all parts listed on this page:



WARNING: This product can expose you to chemicals including chromium, which is known to the State of California to cause cancer and birth defects or other reproductive harm. For more information go to www.P65Warnings.ca.gov.

