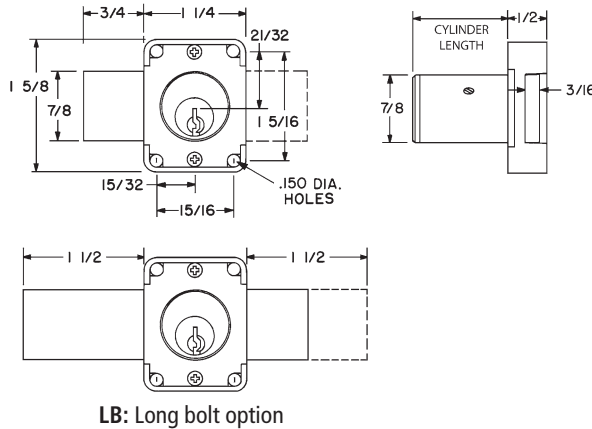


► 500DR | 500B | 500M Door Lock



ANSI/BHMA
A156.11 Grade 1
E07121
Woodwork Institute
(WI) acknowledged
product



500DR

Function: Standard function lock
Includes: 2 keys, 56-1 bar strike, and lock mounting screws

500B - Weather Resistant

Function: Weather resistant construction. Suitable for outdoor use in covered areas only.
Includes: 2 keys, 56-1 bar strike, and lock mounting screws

500DR

Item	Function	Finish	Cyl. Length	Keying
500DR	Door	26D, US4, 10B	15/16"	KD, KA 4T21579, 4T37526 Custom Keyed
500DR	Door	26D, US4	1-3/8"	
Key-retaining:		Specify item 500KL for left-hand doors and 500KR for right-hand doors. (KL and KR designation are <i>only required for key retaining locks</i>).		
Long bolt:		Specify LB for long bolt installed in lock.		

500B - B Series (Weather Resistant)

Item	Function	Finish	Cyl. Length	Keying
500B	Door	26D, US4, 10B	15/16"	KD, KA 4T21579, 4T37526 Custom Keyed
500B	Door	26D, US4	1-3/8"	
Key-retaining:		Specify item 500BKL for left-hand doors and 500BKR for right-hand doors. (BKL and BKR designation are <i>only required for key retaining B Series locks</i>).		
Long bolt:		Specify LB for long bolt installed in lock.		

500M - MRI Function (Non-Magnetic)

Item	Function	Finish	Cyl. Length	Keying
500M	Door	26D	15/16" or 1-3/8"	KD, KA 4T21579, 4T37526 Custom Keyed
Key-retaining (MRI):		Specify item 500MKL for left-hand doors and 500MKR for right-hand doors. (MKL and MKR designation are <i>only required for key retaining MRI locks</i>).		
Long bolt:		Specify LB for long bolt installed in lock.		

SPECIFICATIONS

Keying: Can be keyed together with other R Series locks
Rekeyable: Easily rekeyable via set screw cylinder release mechanism
ANSI/BHMA: Passed ANSI/BHMA A156.11 Grade 1 performance requirements. Equivalent to E07121(500DR) / E07041(600DW).
Standard function: Key removable in locked or unlocked position. Standard function locks are non-handed.
Key-retaining: Key removable in locked position only. Specify handing (KL/KR for doors or KI/KV for drawers) when ordering.
US Patent Nos: 4,899,563; 4,920,774
Body: Zinc die cast
Cylinder: Solid brass, pin tumbler
Cylinder length: 15/16" or 1-3/8"
Barrel diameter: 7/8"
Finish: 26D, US4 or 10B
Packaged: Packed 10 per box

KEYING INFORMATION

Keyway: R Series (equivalent to CCL R1 system)
Keys: Includes 2 keys per lock
Stock keying: KD/KA - 5 pin standard
Stock KA#: 4T21579, 4T37526
Masterkeyed: 5 pin standard, 6 pin available
Grand masterkeyed: Available
Keyblank 5-pin: KBR-5-NP (equivalent to CO106, 1003A)
Keyblank 5-pin copper plated: KBR-5B (use with M Series MRI locks)
Keyblank 6-pin: KBR-6-NP (equivalent to L1003A)

INCLUDED ACCESSORIES

500DR/500B: 2 keys, 56-1 bar strike, and lock mounting screws
500M: 2 keys, 56-1 bar strike, and lock mounting screws (keys, components and materials are non-ferrous/non-magnetic)

OPTIONAL ACCESSORIES

See the accessories section of this catalog for a complete list.
Spacers: WP20 (3/16" thick), WP21 (3/32" thick), WP22 (1/4" thick), WP23 (1/2" thick)
Strikes: 07S, 12-1, 12-2, 12-3, 12-4, 56-1 strikes
Trim ring: TR1256
Through-bolt hardware: ETS2 trim plate, ETS2-PL trim pull and ETST2 template
Long bolt (bolt only): 15-1-35 for use with 500DR/500B/500M locks

The following warning is applicable to all parts listed on this page:
WARNING: This product can expose you to chemicals including chromium, which is known to the State of California to cause cancer and birth defects or other reproductive harm. For more information go to www.P65Warnings.ca.gov.

