

Interchangeable Core

Best Compatible (Small Format)

► 725RL Rim Latch



For BEST style interchangeable core cylinders

Surface Mounted



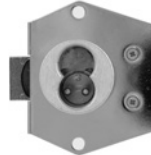
725RL
725RL-DW-VH



725RL-DR-LH



725RL-DW-IH



725RL-DR-RH

SPECIFICATIONS

Retrofits: Best 5L7RL

Mounting: Rim (surface)

ANSI/BHMA: Passed ANSI/BHMA A156.11 Grade 1 performance requirements

Material: Zinc die cast cylinder housing, steel back plate and steel case

Cylinder length: 1-1/16" or 1-3/8"

Barrel diameter: 1-1/8"

Latch projection: 1/4"

Reverse latch: Available for DW-VH or DW-IH functions - use reverse latch for in-swinging door applications.

Finish: US26, 26D, US3, US4 or 10B (1-3/8" barrel length locks available in 26D finish only)

Packaged: Packed 10 per box

KEYING INFORMATION

Cores: Not included.

Accepts: Best, Arrow, Falcon, KSP, Schlage SFIC or equivalent small format interchangeable cores

Compatible electronic cylinders: Medeco Nexgen XT or VIDEX CyberLock SFIC cylinders

INCLUDED ACCESSORIES

725-1 spacer to fit 6 or 7 pin cores

725-SP-RL solid lipped strike

725-PA plastic thumbturn

OPTIONAL ACCESSORIES

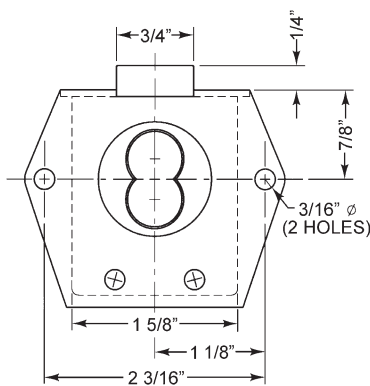
See the accessories section of this catalog for a complete list.

Spacers: WP725 (1/8" thick), WP726 (1/4" thick)

Strikes: 725-SP Series

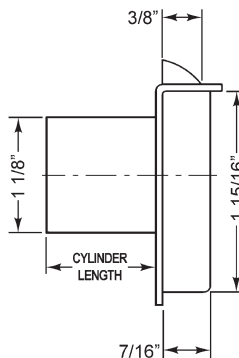
SFIC cores: 206/207 Series (page 60)

Item	Function	Finish	Cyl. Length	Description
725RL-DR-RH	RH Door	26D, US26, US3, US4, 10B	1-1/16"	Lock body - For small format IC
725RL3DR-RH	RH Door	26D	1-3/8"	
725RL-DR-LH	LH Door	26D, US26, US3, US4, 10B	1-1/16"	
725RL3DR-LH	LH Door	26D	1-3/8"	
725RL-DW-VH	VH Drawer	26D, US26, US3, US4, 10B	1-1/16"	
725RL3DWVH	VH Drawer	26D	1-3/8"	
725RL-DW-IH	IH Drawer	26D, US26, US3, US4, 10B	1-1/16"	
725RL3DW-IH	IH Drawer	26D	1-3/8"	
Below locks are with Reverse Latch for "in-swinging" doors				
725RL-DWRVH	VH Drawer	26D, US26, US3, US4, 10B	1-1/16"	Lock body - For small format IC
725RL3DWRVH	VH Drawer	26D	1-3/8"	
725RL-DWRIH	IH Drawer	26D, US26, US3, US4, 10B	1-1/16"	
725RL3DWRIH	IH Drawer	26D	1-3/8"	



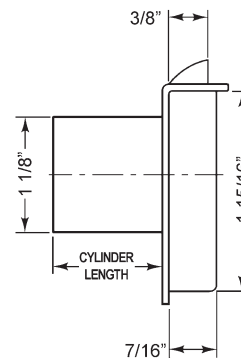
725RL

Dimensions are the same for all handings.



725RL

(Rim Latch)
Standard configuration



725RL-DWR

(Rim Latch with Reverse Latch Option)
For "in-swinging" doors



OLYMPUS
LOCK

Tel: 206.362.3290 | 800.525.0954
Fax 206.362.3569 | www.olympuslock.com



The following warning is applicable to all parts listed on this page:
WARNING: This product can expose you to chemicals including chromium, which is known to the State of California to cause cancer and birth defects or other reproductive harm. for more information go to www.P65Warnings.ca.gov.