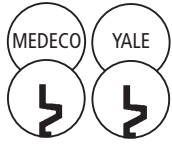
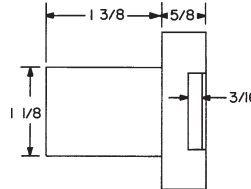
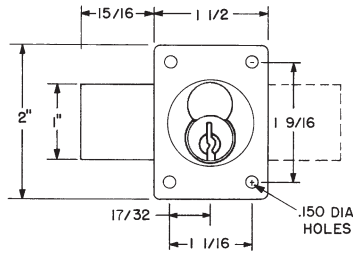


► 931DR Door Lock



For MEDECO/YALE style large format interchangeable core cylinders



IMPORTANT: Medeco "Keymark" cylinders require Best compatible (small format) cabinet lock bodies (See 721DR/DW).

Woodwork Institute (WI) acknowledged product

KEY REMOVABLE LOCKED OR UNLOCKED POSITION

Item	Function	Finish	Cyl. Length	Description
931DR	Door	26D, US3	1-3/8"	Lock body - For Medeco/Yale large format IC

KEY RETAINING (KEY REMOVABLE LOCKED POSITION ONLY)

Item	Function	Finish	Cyl. Length	Description
931DR-KR	Door-KR	26D, US3	1-3/8"	Lock body - For Medeco/Yale large format IC

Key-Retaining (KR): Cycle to "locked" position before inserting core.

SPECIFICATIONS

Standard function: Key removable in locked and unlocked position.

Key-retaining function: Key removable in locked position only. Specify **-KR** for key retaining.

Cylinder length: 1-3/8"

Barrel diameter: 1-1/8"

Body: Zinc die cast

Finish: 26D or US3

Packaged: Packed 10 per box

CYLINDER INFORMATION

Cylinder: Not included

Medeco cylinder: Accepts Medeco #32-0201 (6-pin) IC cylinder and Medeco #31-0100 (6-pin) Yale IC compatible cylinder.

Yale cylinder: Accepts Yale 1210 Series (6-pin) IC core cylinder

ASSA cylinder: Accepts ASSA's 6-pin, Yale-compatible large format IC cylinder.

Special note: Medeco "Keymark" cylinders require Best compatible (small format) cabinet lock bodies.

INCLUDED ACCESSORIES

931-PA plastic thumbturn

931-1 spacer for 6-pin Medeco cores

10-350 plastic spacers (qty 3)

10-054 1/4" plastic bar strike

10-055 1/2" plastic bar strike

OPTIONAL ACCESSORIES

See the accessories section of this catalog for a complete list.

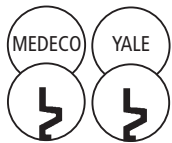
Spacers: 10-350 (1/8" thick), 10-348 (1/4" thick), 10-349 (1/2" thick)

Strikes: 10-052, 10-056, 10-057, 10-058, 12-2, 12-3, 12-4

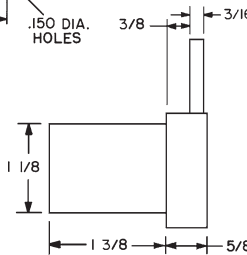
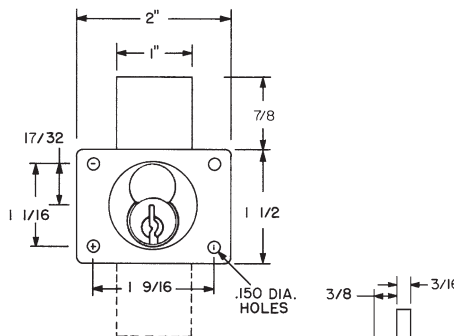
Trim ring: TR78

Through-bolt hardware: ETS1 trim plate, ETS1-PL trim pull and ETST1 template

► 931DW Drawer Lock



For MEDECO/YALE style large format interchangeable core cylinders



IMPORTANT: Medeco "Keymark" cylinders require Best compatible (small format) cabinet lock bodies (See 721DR/DW).

Woodwork Institute (WI) acknowledged product

KEY REMOVABLE LOCKED OR UNLOCKED POSITION

Item	Function	Finish	Cyl. Length	Description
931DW	Drawer	26D, US3	1-3/8"	Lock body - For Medeco/Yale large format IC

KEY RETAINING (KEY REMOVABLE LOCKED POSITION ONLY)

Item	Function	Finish	Cyl. Length	Description
931DW-KR	Drawer-KR	26D, US3	1-3/8"	Lock body - For Medeco/Yale large format IC

Key-Retaining (KR): Cycle to "locked" position before inserting core.

The following warning is applicable to all parts listed on this page:

WARNING: This product can expose you to chemicals including chromium, which is known to the State of California to cause cancer and birth defects or other reproductive harm. for more information go to www.P65Warnings.ca.gov.

