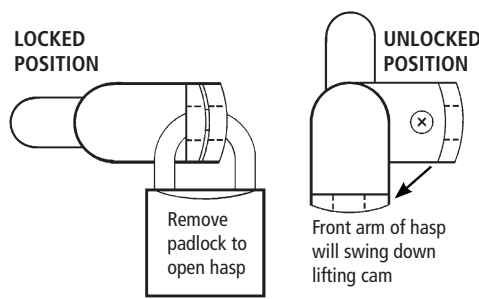
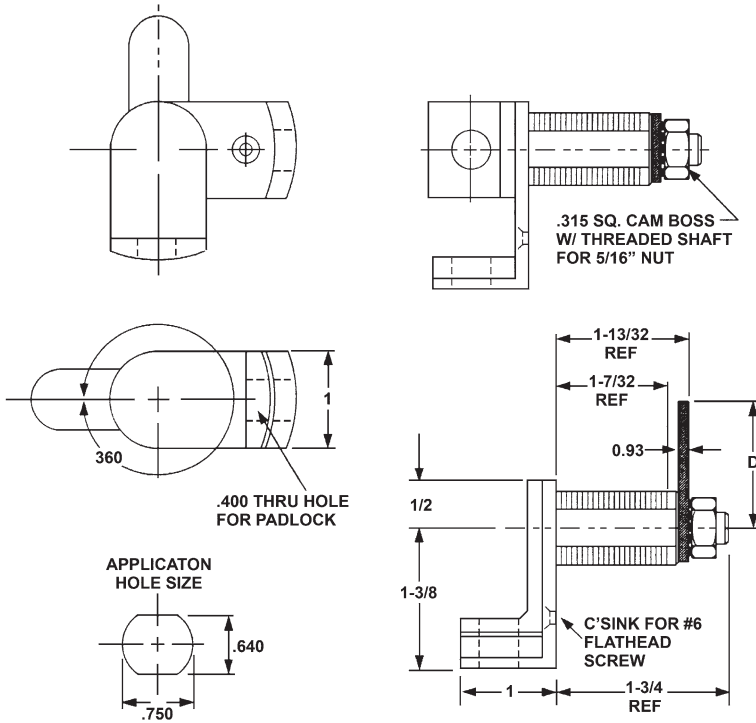


► DCP Padlockable Cam Lock



Item	Finish	Cyl. Length	Description
DCP	26D, US26, US3, US19	1-7/32"	Accepts most standard padlocks with a shackle diameter of 3/8" (10 mm) or less



SPECIFICATIONS

Function: Cam lock for use with padlock as locking device. Functions on doors or drawers. Ideal for locker applications.

Through-hole: 0.4"

Padlocks: Not included

Max. material thickness: 1-1/8"

Barrel diameter: 3/4"

Finish: 26D, US26, US3, US19

Packaged: Packed 15 per box

INCLUDED ACCESSORIES

DCP-LC straight 1-1/4" cam

DCNP-SPW pronged wood washer

OPTIONAL ACCESSORIES

Anti-rotation plate: DCNP-500-ARP

Padlock bumper plates: DCP-SP1, and DCP-SP2.

Available in US32 polished stainless steel or US26D brushed chrome plated.

Optional cams: See chart below

PADLOCKS

DCP works with most other manufacturer's padlocks with shackle diameter of 3/8" (10 mm) or less. See Olympus Lock's brass padlocks (pages 58-59).

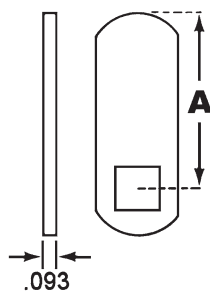


OPTIONAL CAMS — for use with with DCP and DCP500

STRAIGHT CAMS

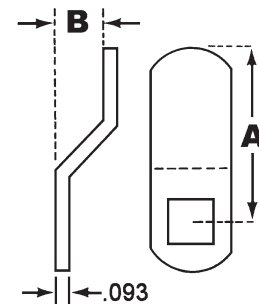
Part No.	Dim. A
DCP-SC	7/8"
DCP-LC **	1-1/4"
DCP-LC-112	1-1/2"
DCP-LC-134	1-3/4"
DCP-LC-225	2-1/4"
DCP-LC-250	2-1/2"

**DCP-LC is included standard with DCP and DCP500. All other cams are available separately.



OFFSET CAMS

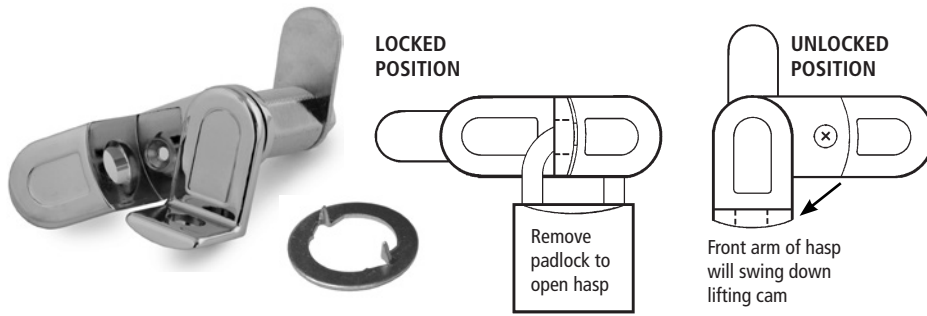
Part No.	Dim. A	Dim. B
DCP-1-14	1"	1/4"
DCP-LBC	1-1/4"	1/4"
DCP-114-18	1-1/4"	1/8"
DCP-118-18	1-1/8"	1/8"
DCP-114-38	1-1/4"	3/8"
DCP-LBC-138	1-3/8"	3/8"
DCP-LBC-178	1-7/8"	1/2"
DCP-112-14	1-1/2"	1/4"



The following warning is applicable to all parts listed on this page:
WARNING: This product can expose you to chemicals including chromium, which is known to the State of California to cause cancer and birth defects or other reproductive harm. for more information go to www.P65Warnings.ca.gov.



► DCP500 Padlockable Cam Lock



SPECIFICATIONS

Function: Cam lock for use with padlock as locking device. Functions on doors or drawers. Ideal for locker applications.

Through-hole: 0.4"
Padlocks: Not included
Max. material thickness: 1-1/8"
Barrel diameter: 3/4"
Finish: US26, US26D
Packaged: Packed 10 per box

INCLUDED ACCESSORIES

DCP-LC straight 1-1/4" cam
 DCNP-SPW pronged wood washer

OPTIONAL ACCESSORIES

Anti-rotation plate: DCNP-500-ARP
Padlock bumper plates: DCP-SP1 and DCP-SP2.

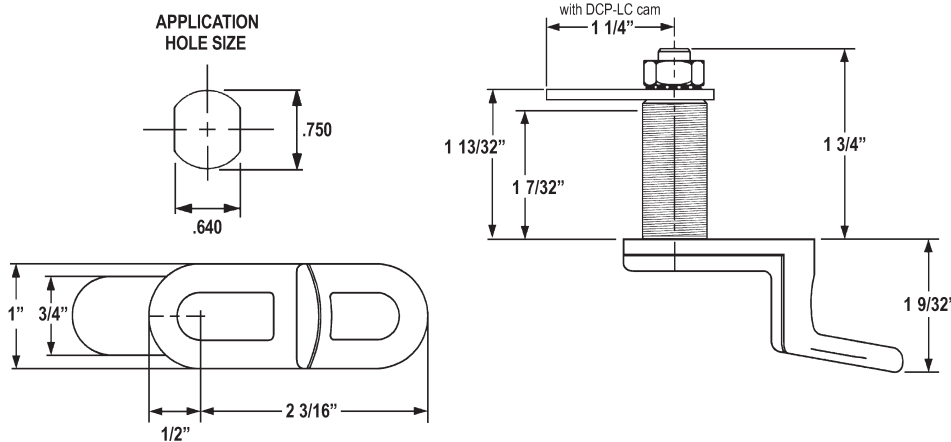
Available in US32 polished stainless steel or US26D brushed chrome plated.

Optional cams: See chart below

PADLOCKS

DCP500 works with most other manufacturer's padlocks with shackle diameter of 3/8" (10 mm) or less. See Olympus Lock's brass padlocks (pages 58-59).

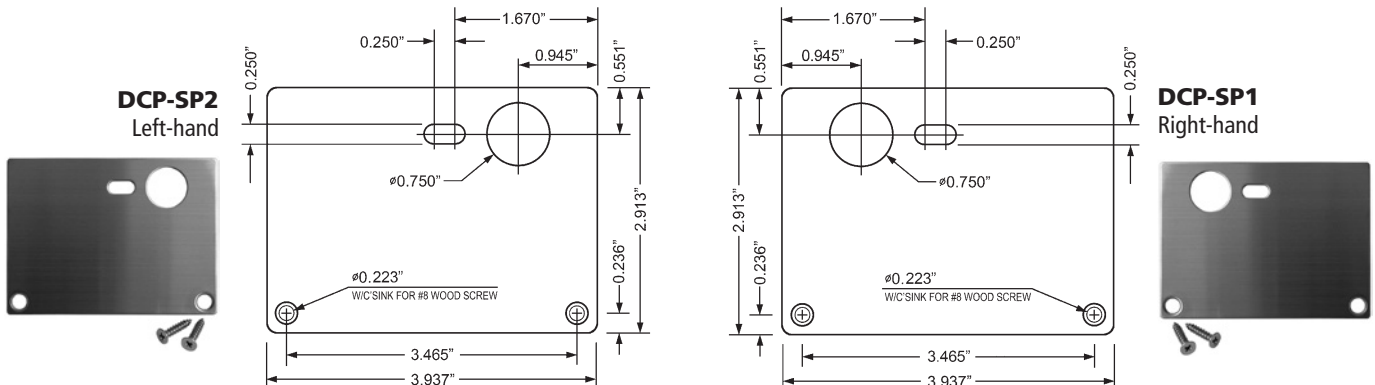
Item	Finish	Cyl. Length	Description
DCP500	26D, US26	1-7/32"	Accepts most standard padlocks with a shackle diameter of 3/8" (10 mm) or less



BUMPER PLATES — for use with DCP and DCP500



Item	Finish	Handing	Description
DCP-SP1	26D, US32	For right-hand doors	Padlock bumper plate (protects face of cabinet from padlock)
DCP-SP2	26D, US32	For left-hand doors	Padlock bumper plate (protects face of cabinet from padlock)



**OLYMPUS
LOCK**

Tel: 206.362.3290 | 800.525.0954
 Fax 206.362.3569 | www.olympuslock.com



The following warning is applicable to all parts listed on this page:
WARNING: This product can expose you to chemicals including chromium, which is known to the State of California to cause cancer and birth defects or other reproductive harm. for more information go to www.P65Warnings.ca.gov.