

# Interchangeable Core

Medeco or Yale Large Format

## ► ME93 Cam Lock

**IMPORTANT:** Medeco "Keymark" cylinders require Best compatible (small format) cabinet lock bodies (See 720LM/DM or 721DR/DW).



**720-PL3**  
Anti-rotation plate



For MEDECO style large format interchangeable core cylinders

Item	Finish	Cyl. Diameter	Mat. Thickness	Description
ME93LM/DM	26D	1-1/8"	Up to 1-1/8"	Lock body - For Medeco Large Format IC

## SPECIFICATIONS

Cylinder diameter: 1-1/8"  
 Across flats: 7/8"  
 ME93 Max. material thickness: 1-1/4"  
 YA93 Max. material thickness: 1-5/16"  
 Min. material thickness: 0.08"  
 Functions: Includes parts for key-retaining or non-key-retaining function  
 Body: Zinc die cast  
 Finish: 26D  
 Packaging: 10 per box

### ME93 CYLINDER INFORMATION

Cores: Not included.  
 Medeco cylinder: Accepts Medeco #32-0201 (6-pin) IC cylinder.  
 Special note: Medeco "Keymark" cylinders require Best compatible (small format) cabinet lock bodies.

## ► YA93 Cam Lock



**720-PL3**  
Anti-rotation plate



For YALE style 6-pin large format interchangeable core cylinders

Item	Finish	Cyl. Diameter	Mat. Thickness	Description
YA93LM/DM	26D	1-1/8"	Up to 1-1/8"	Lock body - For Yale Large Format IC

### YA93 CYLINDER INFORMATION

Cores: Not included.  
 Yale cylinder: Accepts Yale 1210 Series (6-pin) IC cylinder.  
 Assa cylinder: Accepts ASSA's 6-pin, Yale-compatible large format IC cylinder.  
 Medeco cylinder: Accepts Medeco's 31 Series Yale-compatible large format IC cylinder.

YA93LM/DM includes two separate prong drivers: The prong driver for the Yale and/or Assa-Yale IC core comes standard assembled into the lock. A separate prong driver labeled with a number "2" is included and should be installed (in place of the standard driver) if using the Medeco-Yale cylinder.

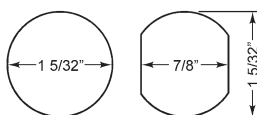
### INCLUDED ACCESSORIES

931-PA plastic thumbturn  
 720-PL3 anti-rotation plate  
 720-3-1 short inverted cam  
 720-3-2 long vertical cam  
 720-CDLM lost motion cam shifter  
 720-CDDM key retaining door cam shifter  
 720-KR key retaining drawer cam shifter  
 (YA93 only) YA93-PD-2 optional prong driver for Medeco/Yale IC cylinders

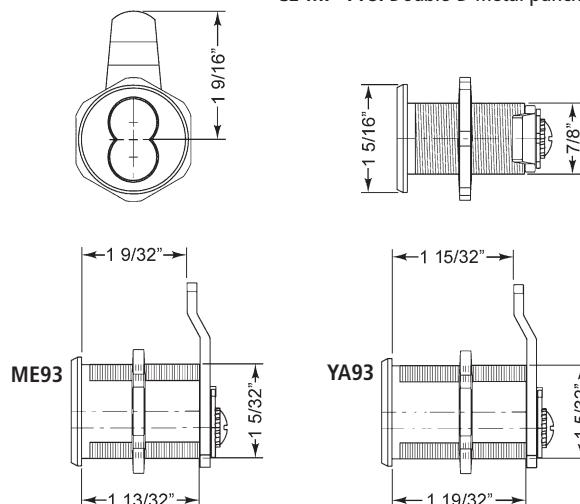
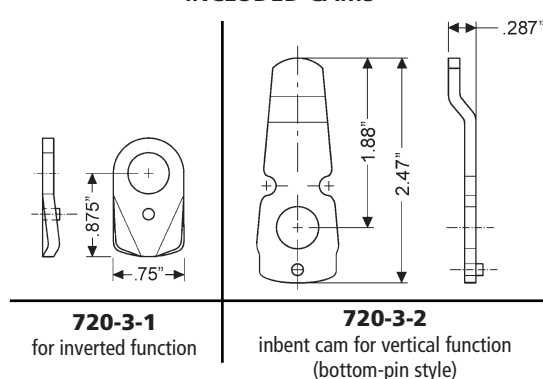
### OPTIONAL ACCESSORIES

See accessories on page 76-77. See page 77 for cam assembly instructions.  
 Optional cams: 720-3-3, 720-3-4, 720-3-5  
 Trim collars: TR200 Series  
 Switch accessory pack: SW-1  
 CL-MP-118: Double-D metal punch (page 66)

### MOUNTING CUTOUT



### INCLUDED CAMS



**OLYMPUS LOCK**

Tel: 206.362.3290 | 800.525.0954  
 Fax 206.362.3569 | www.olympuslock.com



The following warning is applicable to all parts listed on this page:  
**WARNING:** This product can expose you to chemicals including chromium, which is known to the State of California to cause cancer and birth defects or other reproductive harm. for more information go to www.P65Warnings.ca.gov.