

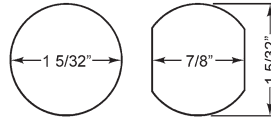
## ► SA54 Cam Lock



For SARGENT interchangeable core cylinders



### MOUNTING CUTOUT



**720-PL3**  
anti-rotation plate

### SPECIFICATIONS

- Cylinder diameter: 1-1/8"
- Across flats: 7/8"
- Max. material thickness: 1-1/8"
- Min. material thickness: 0.08"
- Functions: Includes parts for key-retaining or non-key-retaining function
- Body: Zinc die cast
- Finish: 26D
- Packaged: Packed 10 per box

### CYLINDER INFORMATION

- Cylinder: Not included
- Accepts: Sargent 6300 Series or Sargent Degree interchangeable core cylinders

### INCLUDED ACCESSORIES

- Plastic actuator to operate lock without core
- 720-PL3 anti-rotation plate
- 720-3-1 short inverted cam
- 720-3-2 long vertical cam
- 720-CDLM lost motion cam shifter
- 720-CDDM key retaining door cam shifter
- 720-KR key retaining drawer cam shifter

### OPTIONAL ACCESSORIES

See accessories on page 76-77. See page 77 for cam assembly instructions.

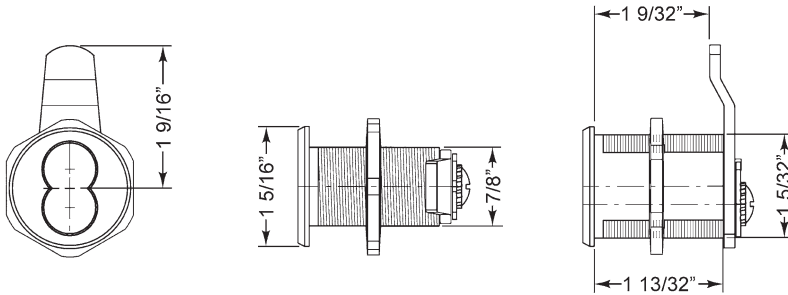
Optional cams: 720-3-3, 720-3-4, 720-3-5

Trim collars: TR200 Series

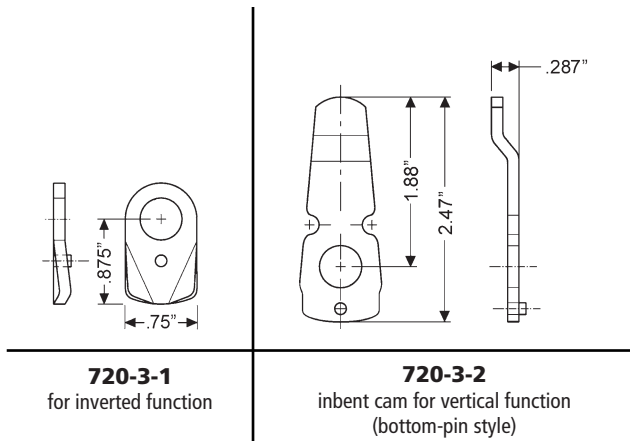
Switch accessory pack: SW-1

CL-MP-118: Double-D metal punch (page 66)

Item	Finish	Cyl. Diameter	Mat. Thickness	Description
SA54LM/DM	26D	1-1/8"	Up to 1-1/8"	Lock body - For use with Sargent IC



### INCLUDED CAMS



**720-3-1**  
for inverted function

**720-3-2**  
inbent cam for vertical function  
(bottom-pin style)

See page 27 for Sargent standard cylinder locks



The following warning is applicable to all parts listed on this page:  
**WARNING:** This product can expose you to chemicals including chromium, which is known to the State of California to cause cancer and birth defects or other reproductive harm. for more information go to [www.P65Warnings.ca.gov](http://www.P65Warnings.ca.gov).

