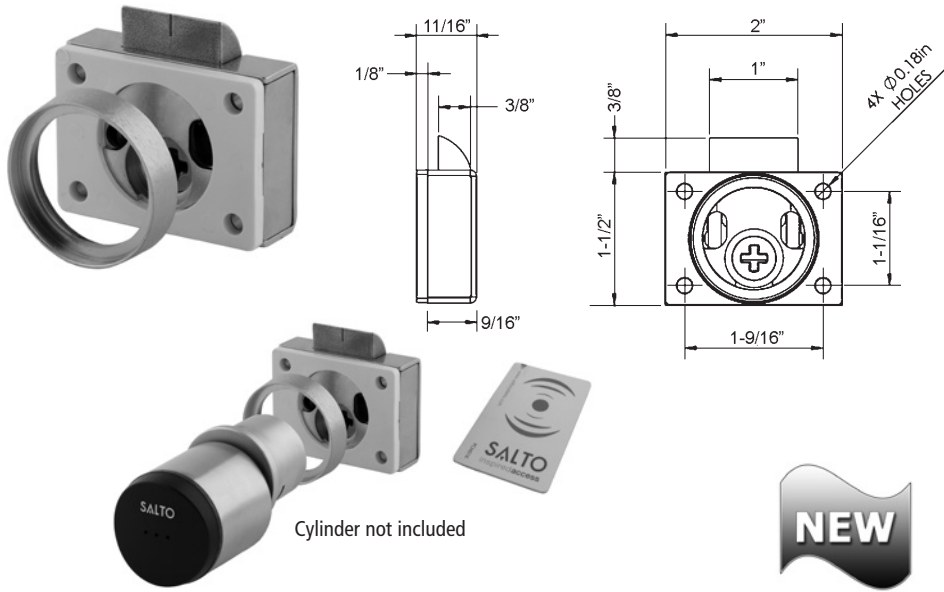


### ► SLT-01 Door or Drawer Latch Lock



Cylinder not included



Item	Finish	Cyl. Length	Barrel Diameter	Description
SLT-01	26D	Determined by provided rim cylinder screws and tailpiece	1-9/64"	Cabinet Lock Conversion Kit for SALTO Electronic Rim Cylinder and other third party US rim cylinders

### SPECIFICATIONS

**Conversion Kit:** allows you to convert a SALTO US rim cylinder and other third party US rim cylinders into a latch or deadbolt cabinet lock.

**Standard Function:** non-handed, will work for cabinet doors or drawers.

**Accepts:** SALTO G9B1 GEO US rim cylinder and other third party US rim cylinders.

**US Patent No:** 11,124,988 B1

**Rim Cylinder:** not included

**Barrel diameter:** 1-9/64"

**Finish:** 26D

**Packaged:** packed 20 per box

### INCLUDED ACCESSORIES

**SLT-01:** 10-350 plastic spacer, L78ST-1-SS stainless steel limp strike, SLT-TR 21/64" trim bezel

**SLT-02:** 10-350 plastic spacer, 10-054 1/4" plastic bar strike, SLT-TR 21/64" trim bezel

### OPTIONAL ACCESSORIES

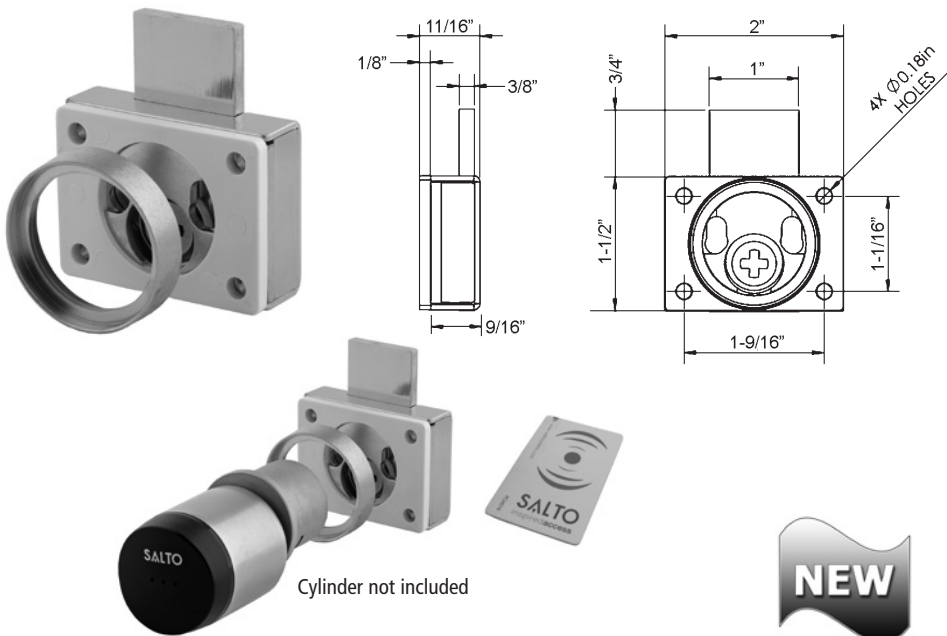
**SLT-01:** Plastic spacers 10-350, 10-348, 10-349.

Strikes L78ST-1, L78ST-2

**SLT-02:** Plastic spacers 10-350, 10-348, 10-349.

Strikes 10-054, 10-055, 10-057, 10-058, 10-052, 10-056, 12-1, 12-2, 12-3, 12-4

### ► SLT-02 Door or Drawer Deadbolt Lock

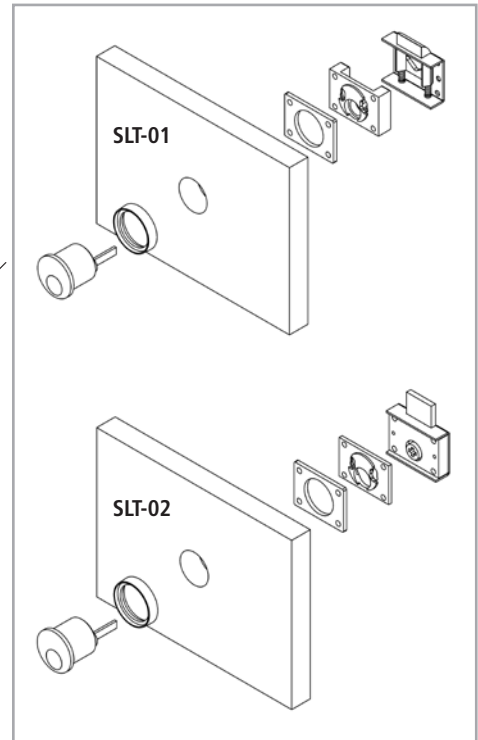


Cylinder not included



Item	Finish	Cyl. Length	Barrel Diameter	Description
SLT-02	26D	Determined by provided rim cylinder screws and tailpiece	1-9/64"	Cabinet Lock Conversion Kit for SALTO Electronic Rim Cylinder and other third party US rim cylinders

### ASSEMBLY



2021 Olympus Lock, Inc. Salto, XS4 and GEO are registered trademarks of Salto Systems S.L.

The following warning is applicable to all parts listed on this page:



**WARNING:** This product can expose you to chemicals including chromium, which is known to the State of California to cause cancer and birth defects or other reproductive harm. for more information go to [www.P65Warnings.ca.gov](http://www.P65Warnings.ca.gov).

