

Optional Cams

For DCP and DCP500 Padlockable Cam Locks

GENERAL SPECIFICATIONS

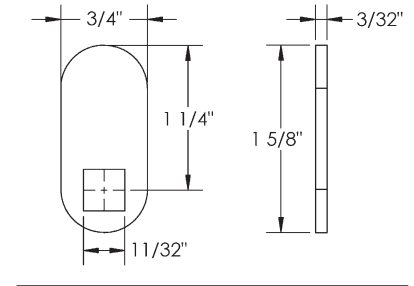
Use with: DCP and DCP500 padlockable cam locks.

Reversible: All bent cams are reversible and can be used in either the inbent or outbent position.

Standard cam: The DCP and DCP500 padlockable cam locks ship standard with DCP-LC (1-1/4" straight cam) pictured at the right.

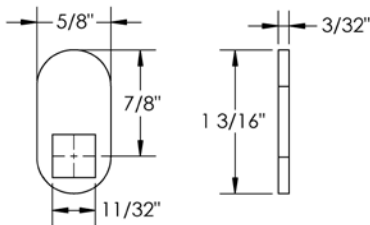
Standard Cam

The DCP and DCP500 padlockable cam locks ship standard with the below 1-1/4" straight cam:

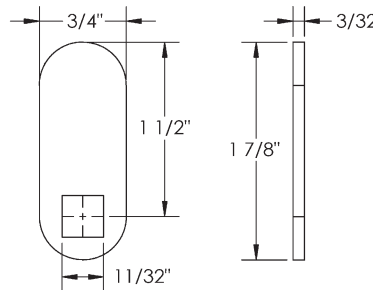


DCP-LC

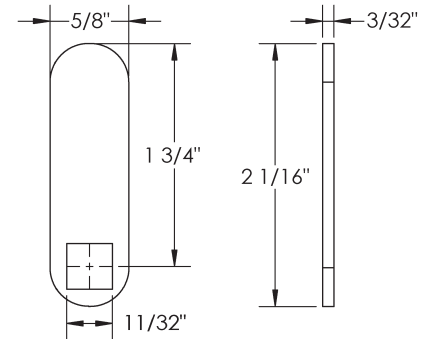
OPTIONAL STRAIGHT CAMS



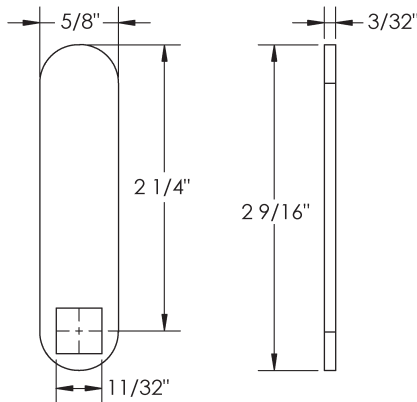
DCP-SC
7/8" straight cam



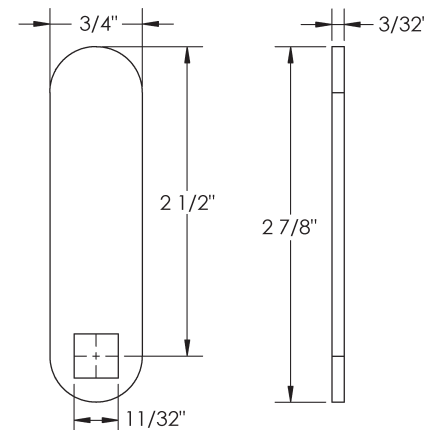
DCP-LC-112
1-1/2" straight cam



DCP-LC-134
1-3/4" straight cam



DCP-LC-225
2-1/4" straight cam



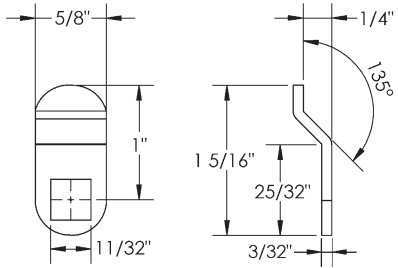
DCP-LC-250
2-1/2" straight cam

SEE REVERSE
FOR OPTIONAL
OFFSET CAMS

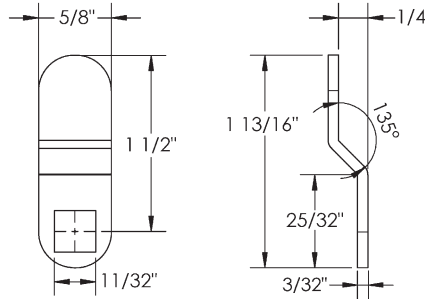
Optional Cams

For DCP and DCP500
Padlockable Cam Locks

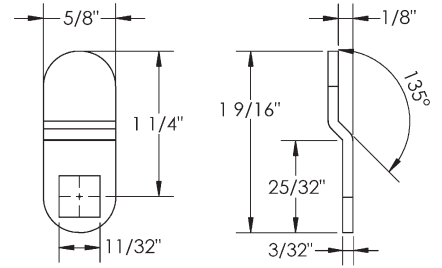
OPTIONAL OFFSET CAMS



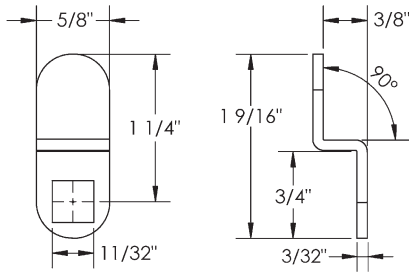
DCP-1-14
1" cam with 1/4" offset



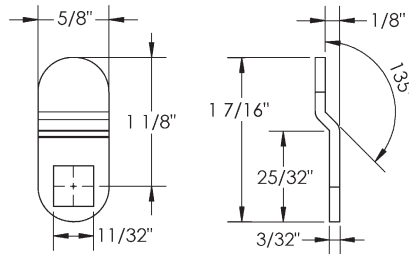
DCP-112-14
1-1/2" cam with 1/4" offset



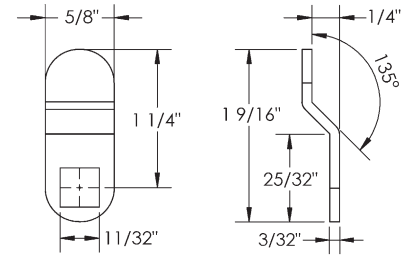
DCP-114-18
1-1/4" cam with 1/8" offset



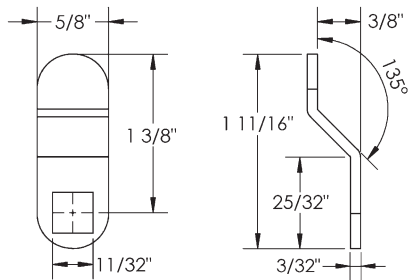
DCP-114-38
1-1/4" cam with 1/8" offset



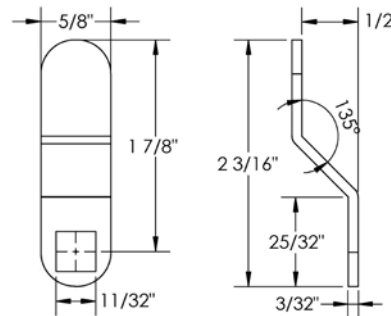
DCP-118-18
1-1/8" cam with 1/8" offset



DCP-LBC
1-1/4" cam with 1/4" offset



DCP-LBC-138
1-3/8" cam with 3/8" offset



DCP-LBC-178
1-7/8" cam with 1/2" offset