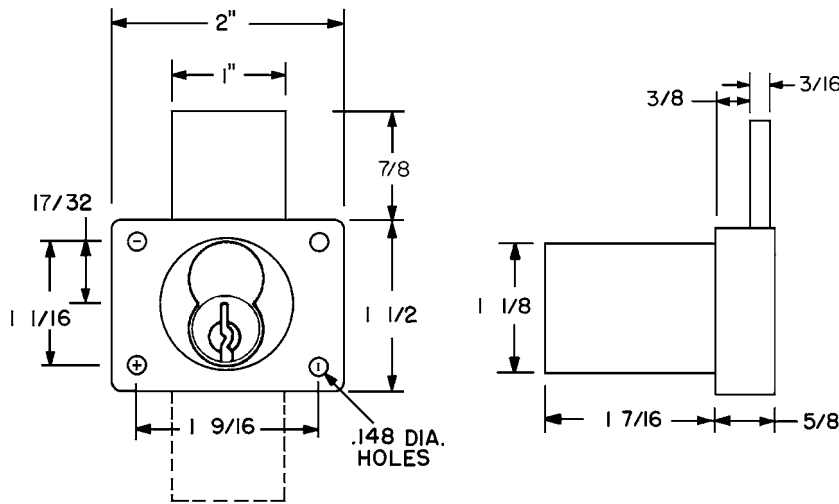
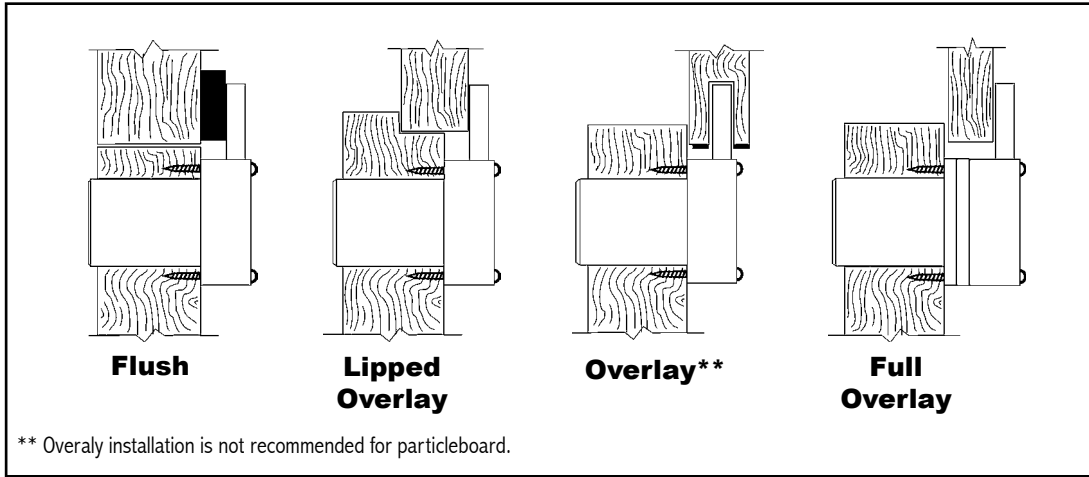


Installation Instructions

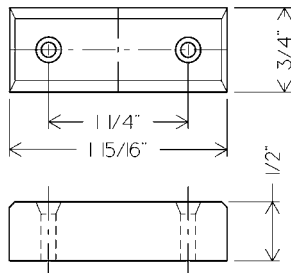
888

Typical Installation

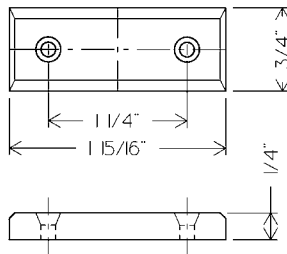


Special note for key-retaining locks only:

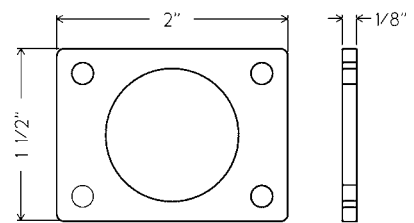
Cycle lock so that the bolt is in the "locked" position before inserting the core.



10-055 - 1/2" bar strike



10-054 - 1/4" bar strike



10-350 - 1/8" spacer

Use of spacers and strikes depends on application and material thickness.

Title Installation instructions for 888 series cabinet drawer lock				
Series 888	Barrel Length 1-7/16"	Bolt type Deadbolt	Mounting Surface	Revision Date 10/2007

