

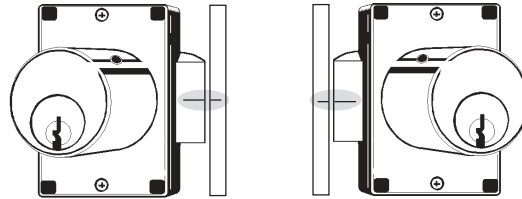
# Installation Instructions

## 997

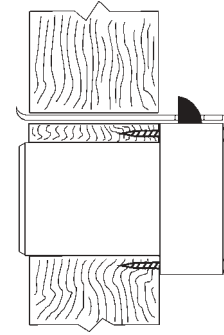
### Typical Installation

**IMPORTANT note for lock installation:**

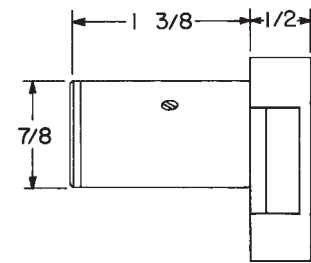
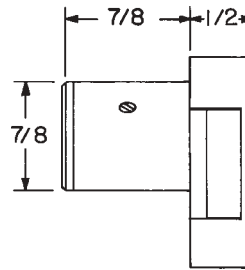
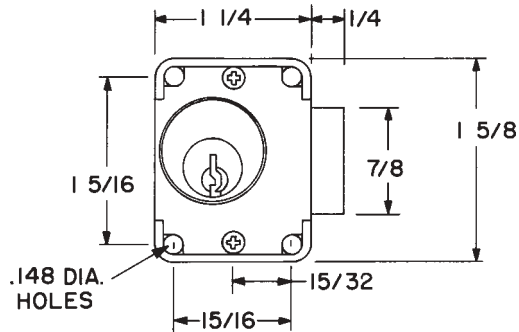
Be sure and position barrel/cylinder and bolt for desired handing *before* drilling hole for lock. The position of the barrel/cylinder relative to the lock body is different for each or the four available handings. It is critical to configure the lock for the correct handing before starting installation.



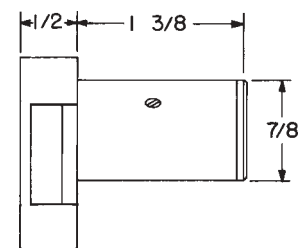
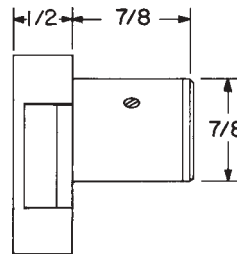
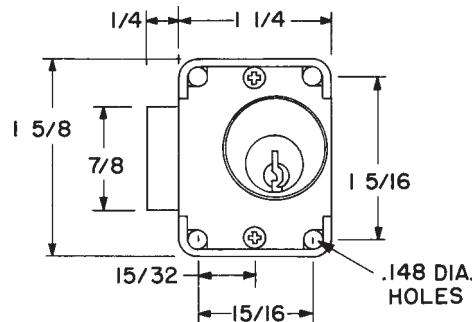
**Strike installation:** Line up center mark on latch with center mark on strike for correct strike placement.



### 997L - Left Hand (LH)



### 997R - Right Hand (RH)



Title

Installation instructions for 997 series cabinet door lock

Series

997

Barrel Length

7/8" or 1-3/8"

Bolt type

Latch

Mounting

Surface

Revision Date

06/2004

**OLYMPUS**  
LOCK, INC.