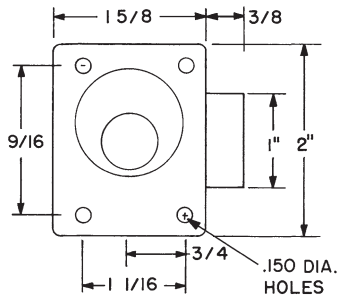
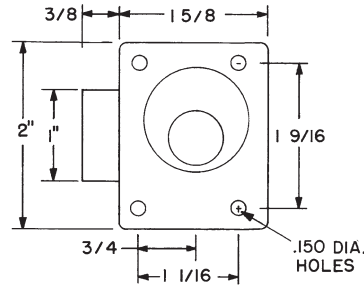


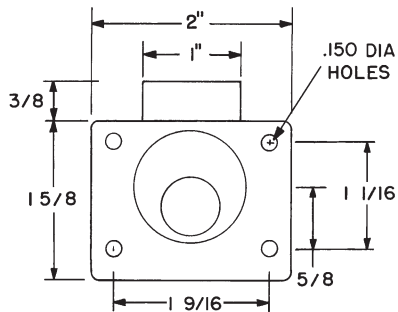
L78L-LC - Left Hand (LH)



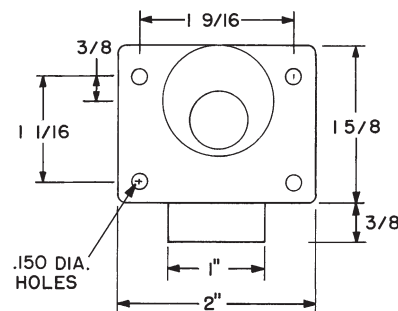
L78R-LC - Right Hand (RH)



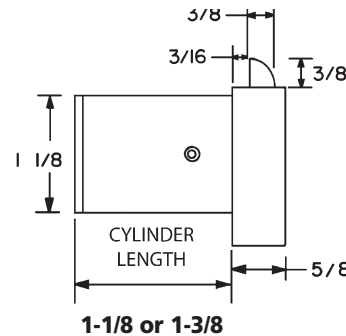
L78V-LC - Vertical Hand (VH)



L78I-LC - Inverted Hand (IH)

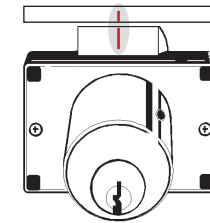


See box to right for correct strike placement.



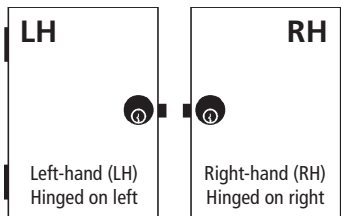
IMPORTANT NOTE FOR LOCK AND STRIKE INSTALLATION:

Be sure and position barrel/cylinder and bolt for desired handing before drilling hole for lock. The position of the barrel/cylinder relative to the lock body is different for each of the four available handings. It is critical to configure the lock for the correct handing before starting installation.



STRIKE INSTALLATION: Line up center mark on latch with center mark on strike for correct strike placement.

Installation/handing



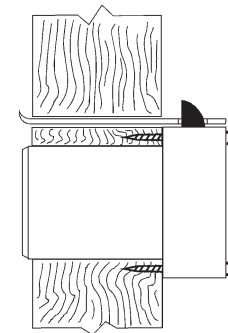
Included Accessories (1-1/8 barrel length locks):

- 2 10-351 plastic spacers
- 1 L78ST-1 lip strike
- 4 lock mounting screws

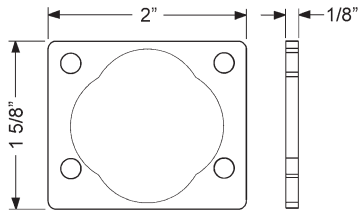
Included Accessories (1-3/8 barrel length locks):

- 1 L78ST-2 lip strike
- 4 lock mounting screws

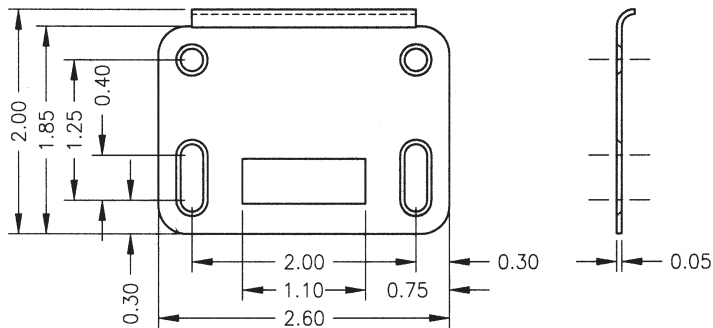
Typical Installation



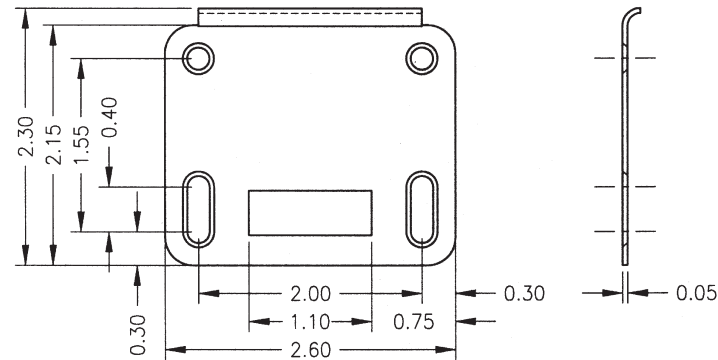
Spacer options Note: use of spacers and strikes depends on application and material thickness.



10-351 plastic spacer



L78ST-1 lip strike



L78ST-2 lip strike