

400SD

R Series: Sliding Door Plunger Lock

SPECIFICATIONS

Keying: Can be keyed together with other R Series locks

Rekeyable: Easily rekeyable via speed-release cylinder release mechanism

US Patent Nos: 4,920,774; 5,121,619

Standard function: Key removable in locked or unlocked position.

Body: Zinc die cast

Cylinder: Solid brass, pin tumbler

Cylinder length: 1"

Barrel diameter: 1"

Finish: 26D, US3 or 10B

Packaged: Packed 10 per box

KEYING INFORMATION

Keyway: R Series (equivalent to CCL R1 system)

Keys: Includes 2 keys per lock

Stock keying: KD/KA - 5 pin standard

Stock KA#: 4T21579, 4T37526

Masterkeyed: 5 pin standard

Grand masterkeyed: Available

Keyblank 5-pin: KBR-5-NP

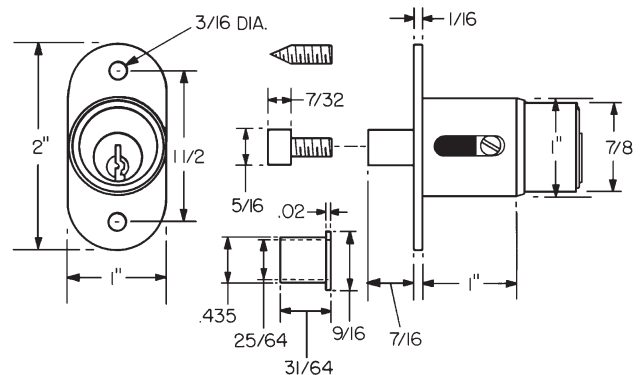
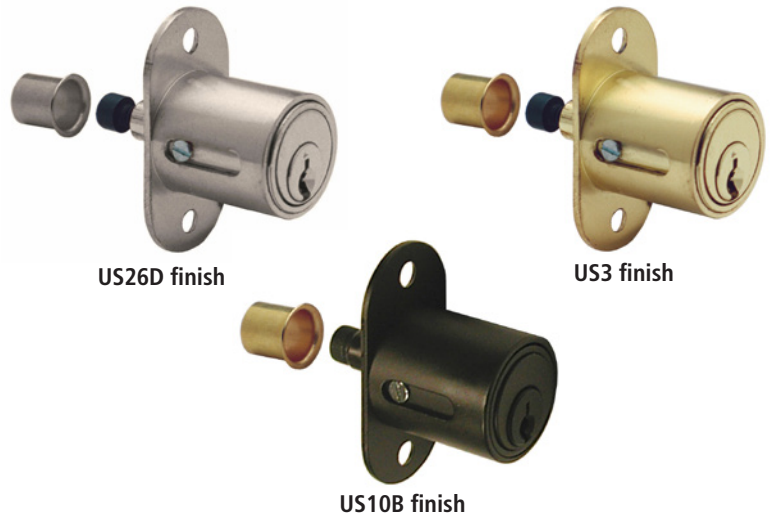
(equivalent to CO106, 1003A)

INCLUDED ACCESSORIES

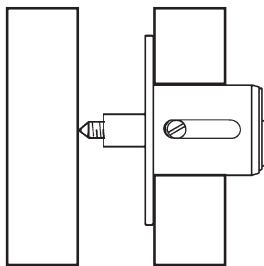
34-9 matching thimble strike

10-24 machine thread bolt extender for varying gaps between bypassing doors

10-24 machine thread strike locator

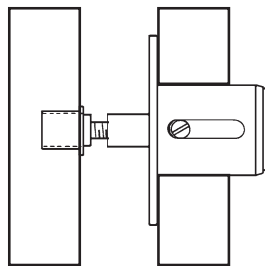


Strike Locator



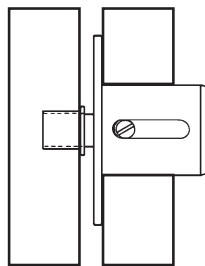
Use strike locator to correctly mark location to install strike.

Bolt Extender



Use optional bolt extender for excessive gaps in bypassing doors.

Closed



Open

