

# 429R

## R Series: Sliding Door Showcase/Ratchet Lock

### SPECIFICATIONS

**Keying:** Can be keyed together with other R Series locks

**Rekeyable:** Easily rekeyable via speed-release cylinder release mechanism

**US Patent No:** 5,121,619

**Body:** Zinc die cast

**Cylinder:** Solid brass, pin tumbler

**Strap:** Nylon coated strap fits 1/4" material

**Finish:** 26D

**Packaged:** Packed 10 per box

### KEYING INFORMATION

**Keyway:** R Series (equivalent to CCL R1 system)

**Stock keying:** KD/KA - 5 pin standard

**Stock KA#:** 4T21579, 4T37526

**Masterkeyed:** 5 pin standard

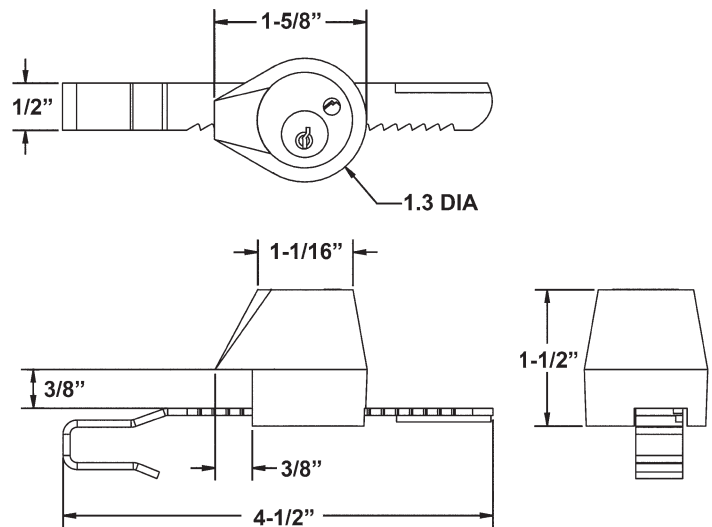
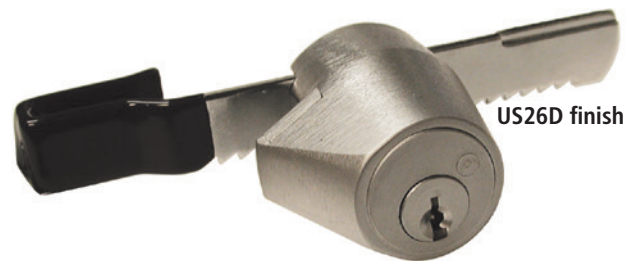
**Grand masterkeyed:** Available

**Keyblank 5-pin:** KBR-5-NP

(equivalent to C0106, 1003A)

### INCLUDED ACCESSORIES

Nylon coated strap with set screws to fit 1/4" material thickness



*"The industry's first easily rekeyable, small pin tumbler showcase/ratchet lock."*