

# 720LM/DM

**SFIC: Cam Lock**  
**For Small Format**  
**Interchangeable Core**



For BEST style interchangeable core cylinders

**ANSI/BHMA Grade 1**  
**E07261 | E07271**  
**Woodwork Institute (WI)**  
**acknowledged product**

## GENERAL SPECIFICATIONS

**Function:** Cam lock

**Retrofits:** Best 1E7E4

**ANSI/BHMA:** Passed ANSI/BHMA A156.11 Grade 1 performance requirements. Equivalent to E07261/ E07271.

**Cylinder diameter:** 1-1/8"

**Across flats:** 7/8"

**Max. material thickness:** 1-1/8"

**Min. material thickness:** 0.08"

**Functions:** Includes parts for key-retaining or non-key-retaining function.

**Cam installation:** See our website for cam assembly instructions.

**Body:** Zinc die cast

**Finish:** 26D, US26, US3 or US4

**Packaged:** Packed 10 per box

## KEYING INFORMATION

**Cores:** Not included.

**Accepts:** Best, Arrow, Falcon, KSP, Schlage SFIC or equivalent small format interchangeable cores

**Compatible electronic cylinders:** Medeco Nexgen XT or VIDEX CyberLock SFIC cylinders

## INCLUDES

725-PA plastic thumbturn

720-PL3 stabilizer plate

725-1 spacer to fit 6 or 7 pin cores

720-3-1 short inverted cam

720-3-2 long vertical cam

720-CDLM lost motion cam shifter

720-CDDM key retaining door cam shifter

720-KR key retaining drawer cam shifter



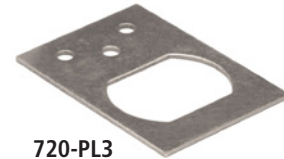
US26D finish

US26 finish

US4 finish

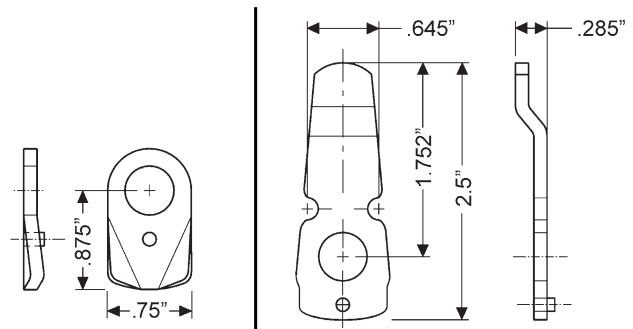


US3 finish



**720-PL3**  
Anti-rotation plate included

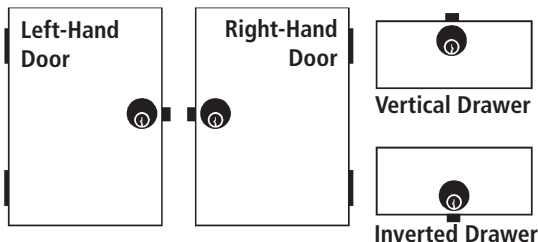
## INCLUDED CAMS



**720-3-1**  
for inverted function

**720-3-2**  
inbent cam for vertical function  
(bottom-pin style)

## HANDING CHART



**OLYMPUS**  
**LOCK, INC.**  
*The cabinet lock innovators.*

# 720LM/DM

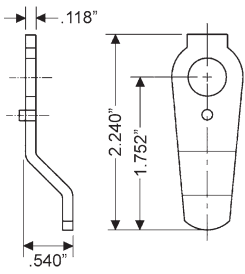
**SFIC: Cam Lock**  
For Small Format  
Interchangeable Core

**ANSI/BHMA Grade 1**  
**E07261 | E07271**

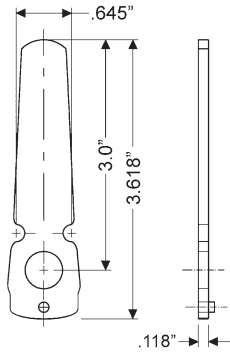
**Woodwork Institute (WI)**  
**acknowledged product**

**OPTIONAL ACCESSORIES-** See our website for a complete list of optional components.

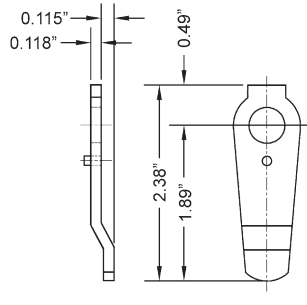
## Optional Cams



**720-3-3**  
inbent cam for  
inverted function



**720-3-4**  
3" straight cam for vertical  
function



**720-3-5**  
inbent cam for  
inverted function

## CL-MP-118 Double-D Metal Punch

Hole size: Punches a DOUBLE "D" hole size  
approximately 7/8" wide by 1-1/8" high.



## TR200 Series Trim Collars



**TR201**  
1/8"



**TR202**  
1/4"



**TR203**  
3/8"



**TR204**  
5/32"

## 206/207 Series SFIC Cylinders

Best compatible 6 and 7 pin small format interchangeable core cylinders



BEST compatible  
interchangeable  
core cylinders



A	B	C	D	E	F	G	H	
J	K	L	M	Q	1C	1D	KMT300	

## DIMENSIONS

### MOUNTING CUTOUT

