

# 725MD

## SFIC: Mortise Deadbolt Door & Drawer Cabinet Lock

ANSI/BHMA Grade 1



BEST compatible interchangeable core cylinders

### SPECIFICATIONS

**Retrofits:** Best 5L7MD

**Function:** Mortise mounted deadbolt

**Handing:** Available for doors or drawers

**Testing:** Passed ANSI/BHMA A156.11 Grade 1 performance requirements.

**Barrel diameter:** 1-1/8"

**Cylinder length:** 1-1/16" or 1-3/8"

**Finish:** US26 (polished chrome), US26D (satin chrome), US4 (satin brass), US3 (polished brass) or US10B (oil rubbed bronze). 1-3/8" barrel length locks available in US26D finish only.

### KEYING INFORMATION

**Cores:** Not included

**Accepts:** Best, Arrow, Falcon, KSP, Schlage SFIC or equivalent small format interchangeable cores

**Compatible electronic cylinders:** Medeco Nexgen XT or VIDEX CyberLock SFIC cylinders.

### INCLUDED ACCESSORIES

725-1 spacer to fit 6 or 7 pin cores

725-SP-MD slotted rectangular strike

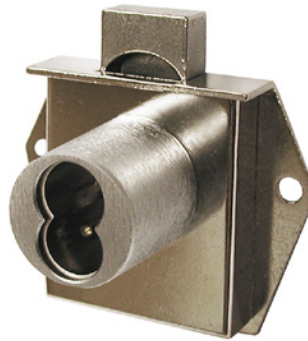
725-PA plastic thumbturn

### 725MD

**Function:** Deadbolt cabinet door or drawer lock

**Standard function:** Key removable in locked or unlocked position. Standard locks are non-handed.

**Key-retaining function:** Key removable in locked position only. Key retaining function available for drawer vertical configuration only.



725MD-DW-VH  
drawer vertical



US26D



US26



US3



US4



US10B

### AVAILABLE FUNCTIONS



725MD-DW-IH  
drawer inverted

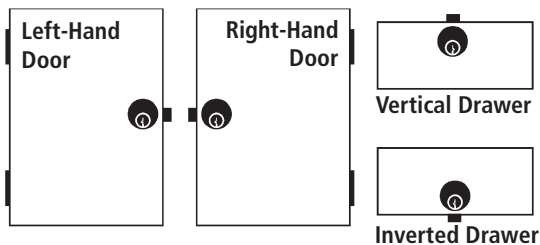


725MD-DR-LH  
door left-hand



725MD-DR-RH  
door right-hand

### HANDING CHART



### INCLUDED ACCESSORIES



725-PA



725-SP-MD



725-1

**OLYMPUS** LOCK, INC.  
*The cabinet lock innovators.*

# 725MD

ANSI/BHMA Grade 1

## SFIC: Mortise Deadbolt Door & Drawer Cabinet Lock

**OPTIONAL ACCESSORIES** - See our website for a complete list of optional components.

### Internal Plastic Spacers

- WP725 1/8" thick plastic spacers
- WP726 1/4" thick plastic spacers

### Strikes

- Plastic bar strikes: 10-054, 10-055, 10-057, 10-058. Metal strikes: 10-056 12-1, 12-2, 12-3, 12-4, 725-SP

### Trim Ring

- TR78 trim ring



WP725



WP726

### 206/207 Series

- 206 Series 6-pin SFIC cylinder
- 207 Series 7-pin SFIC cylinder



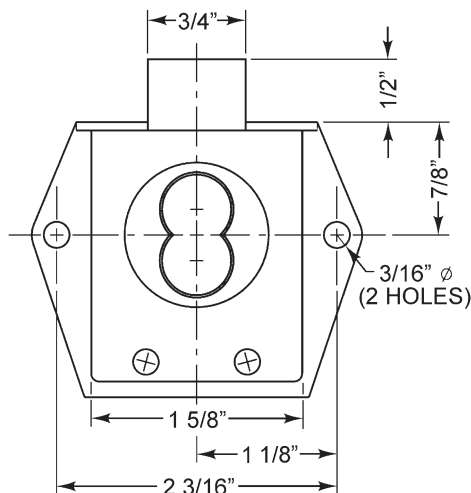
BEST compatible interchangeable core cylinders



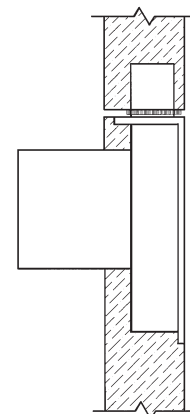
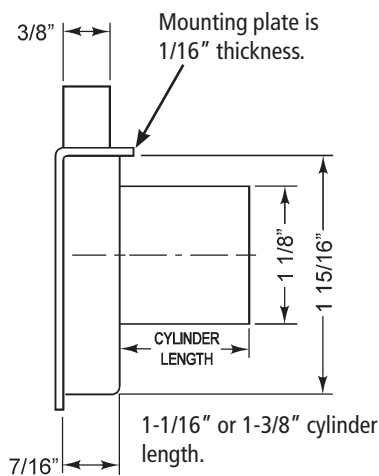
### AVAILABLE KEYWAYS

A	B	C	D	E	F	G	H	
J	K	L	M	Q	1C	1D	KMT300	

## DIMENSIONS | TYPICAL INSTALLATION



Dimensions are the same for all handings.



Mortise Deadbolt  
725MD