

725RD

SFIC: Rim Deadbolt Door & Drawer Cabinet Lock

ANSI/BHMA Grade 1



BEST compatible interchangeable core cylinders

GENERAL SPECIFICATIONS

Retrofits: Best 5L7RD

Function: Rim (surface) mounted deadbolt

Handing: Available for doors or drawers

Testing: Passed ANSI/BHMA A156.11 Grade 1 performance requirements.

Barrel diameter: 1-1/8"

Cylinder length: 1-1/16" or 1-3/8"

Finish: US26 (polished chrome), US26D (satin chrome), US4 (satin brass), US3 (polished brass) or US10B (oil rubbed bronze). 1-3/8" barrel length locks available in US26D finish only.

KEYING INFORMATION

Cores: Not included

Accepts: Best, Arrow, Falcon, KSP, Schlage SFIC or equivalent small format interchangeable cores

Compatible electronic cylinders: Medeco Nexgen XT or VIDEX CyberLock SFIC cylinders.

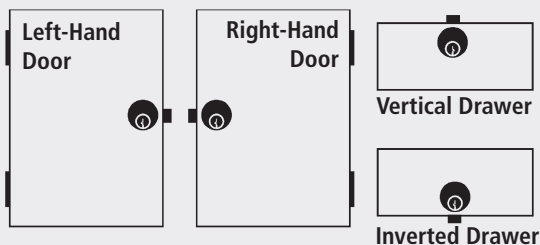
INCLUDED ACCESSORIES

725-1 spacer to fit 6 or 7 pin cores

725-SP-RD solid rectangular strike

725-PA plastic thumbturn

HANDING CHART



725RD-DW-VH
drawer vertical

725RD

Function: Deadbolt cabinet door or drawer lock

Standard function: Key removable in locked or unlocked position. Standard locks are non-handed.

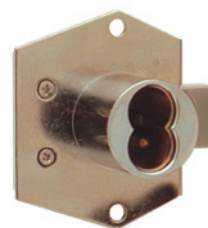
Key-retaining function: Key removable in locked position only. Key retaining function available for drawer vertical configuration only.



AVAILABLE FUNCTIONS



725RD-DW-IH
drawer inverted



725RD-DR-LH
door left-hand



725RD-DR-RH
door right-hand

INCLUDED ACCESSORIES



725-PA



725-SP-RD



725-1

OLYMPUS LOCK, INC.
The cabinet lock innovators.

725RD

ANSI/BHMA Grade 1

SFIC: Rim Deadbolt Door & Drawer Cabinet Lock

OPTIONAL ACCESSORIES - See our website for a complete list of optional components.

Internal Plastic Spacers

- WP725 1/8" thick plastic spacers
- WP726 1/4" thick plastic spacers

Strikes

- Plastic bar strikes: 10-054, 10-055, 10-057, 10-058. Metal strikes: 10-056 12-1, 12-2, 12-3, 12-4, 725-SP

Trim Ring

- TR78 trim ring



WP725



WP726

206/207 Series

- 206 Series 6-pin SFIC cylinder
- 207 Series 7-pin SFIC cylinder



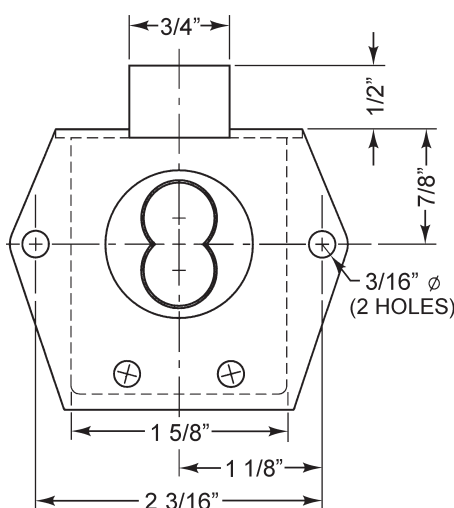
BEST compatible interchangeable core cylinders



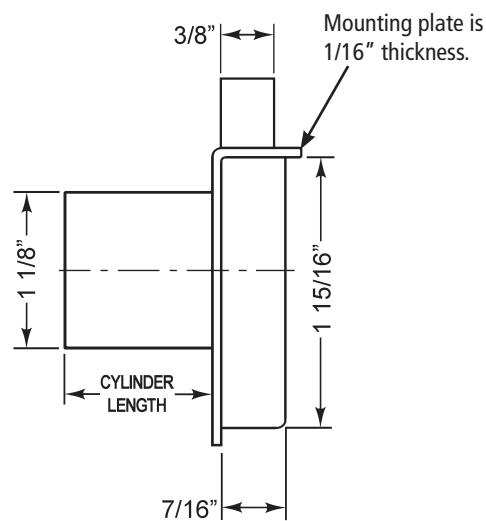
AVAILABLE KEYWAYS

A	B	C	D	E	F	G	H	
J	K	L	M	Q	1C	1D	KMT300	

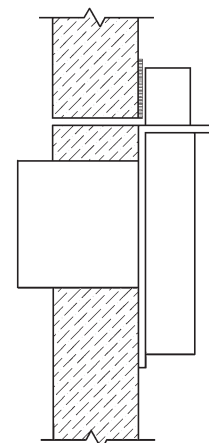
DIMENSIONS | TYPICAL INSTALLATION



Dimensions are the same for all handings.



1-1/16" or 1-3/8" cylinder length.



Rim Deadbolt 725RD