

## 820S

### S Series: Schlage C Keyway Cam Lock



Woodwork Institute (WI)  
acknowledged product

#### SPECIFICATIONS

**Rekeyable:** Easily rekeyable via set screw on back of lock body

**U.S. Patent No:** 7,716,958 B2

**Cylinder diameter:** 1-1/8"

**Across flats:** 7/8"

**Max. material thickness:** 1-3/8"

**Min. material thickness:** 0.08"

**Body:** Zinc die cast

**Functions:** Includes parts for key-retaining or non-key-retaining

**Finish:** 26D or US3

**Packaged:** Packed 10 per box

#### 820S KEYING INFORMATION

**Keying:** Can be keyed together with other Schlage C Keyway locks

**Keyway:** Schlage "C" Keyway

**Keys:** Includes 2 keys per lock

**Cylinder:** Solid brass, pin tumbler

**Stock keying:** KD/KA - 5 pin standard

**Stock KA#:** 101, 102, O-Bit

**Masterkeying:** 5 pin standard, 6-pin available

**Grand masterkeying:** Available

**Keyblank 5-pin:** KBSC-5

**Keyblank 6-pin:** KBSC-6

#### INCLUDED ACCESSORIES

720-PL3 anti-rotation plate

720-3-1 short inverted cam

720-3-2 long vertical cam

720-CDLM lost motion cam shifter

720-CDDM key retaining door cam shifter

720-KR key retaining drawer cam shifter

#### OPTIONAL ACCESSORIES

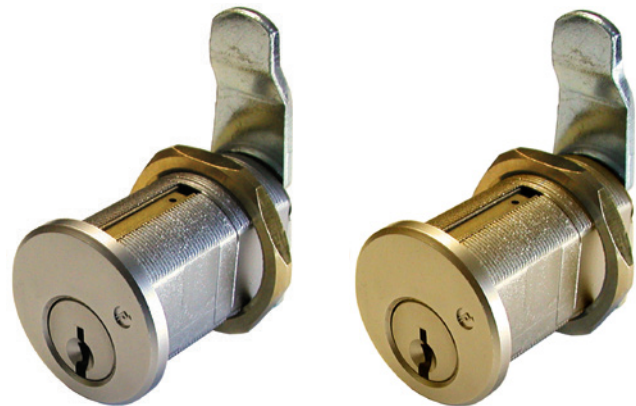
**Optional cams:** 7-3-2, 7-3-3, 7-3-4, 7-3-5

**Trim collars:** TR200 Series

**Cylinder:** 78-201 Series

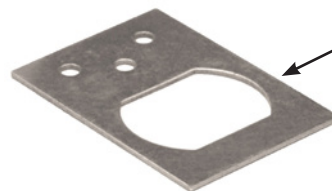
**Switch accessory pack:** SW-1

**CL-MP-118:** Double-D metal punch



US26D Finish

US3 Finish



720-PL3 anti-rotation plate keeps lock from rotating in hole, traps fixing nut

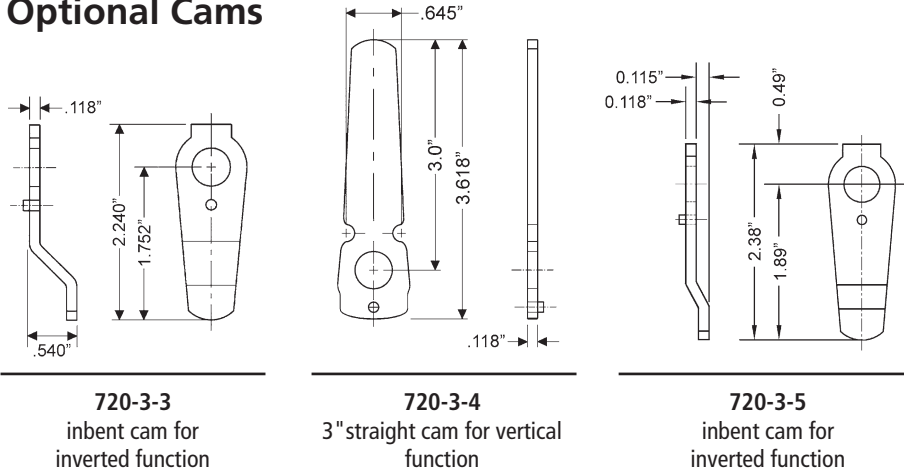
# 820S

Woodwork Institute (WI)  
acknowledged product

## S Series: Schlage C Keyway Cam Lock

**OPTIONAL ACCESSORIES** - See our website for a complete list of optional components.

### Optional Cams



### CL-MP-118 Double-D Metal Punch

Hole size: Punches a DOUBLE "D" hole size approximately 7/8" wide by 1-1/8" high.



### SW-1 Switch Accessory Pack

Use: Includes parts to convert 720, 820, 920, CR25 ME93, SA54 or YA93 series cam locks into switch locks

Switches: Not included.

Accepts: Pin plunger style, snap acting, miniature switches:

- Omron - V Series
- Honeywell (MicroSwitch) - V Series
- Cherry - E Series
- Panasonic (Aromat) - ABV Type
- C&K (ITT) - TM & TF Series

Configuration: Can be configured for 1 or 2 switches



### TR200 Series Trim Collars

Finish: TR201, TR202 and TR203 available in US32D or US3 finish. TR204\* available in US32D finish only.



### DIMENSIONS

