

820LC

LC Series: Less Cylinder Cam Lock



Less cylinder for
Schlage compatible
cylinders

Woodwork Institute (WI)
acknowledged product

SPECIFICATIONS

Rekeyable: Easily rekeyable via set screw on back of lock body

U.S. Patent No: 7,716,958 B2

Cylinder diameter: 1-1/8"

Across flats: 7/8"

Max. material thickness: 1-3/8"

Min. material thickness: 0.08"

Body: Zinc die cast

Functions: Includes parts for key-retaining or non-key-retaining

Finish: 26D or US3

Packaged: Packed 10 per box

820LC CYLINDER INFORMATION

Cylinder: Not included

Accepts: Schlage compatible key-in-knob cylinders including ILCO cylinder #1599. This lock does not accept Medeco cylinders.

Includes: All parts necessary to work with other manufacturers' Schlage compatible cylinders.

Compatible electronic cylinders: ASSA CLIQ or VIDEX CyberLock key-in-knob cylinders.

INCLUDED ACCESSORIES

720-PL3 anti-rotation plate

720-3-1 short inverted cam

720-3-2 long vertical cam

720-CDLM lost motion cam shifter

720-CDDM key retaining door cam shifter

720-KR key retaining drawer cam shifter

OPTIONAL ACCESSORIES

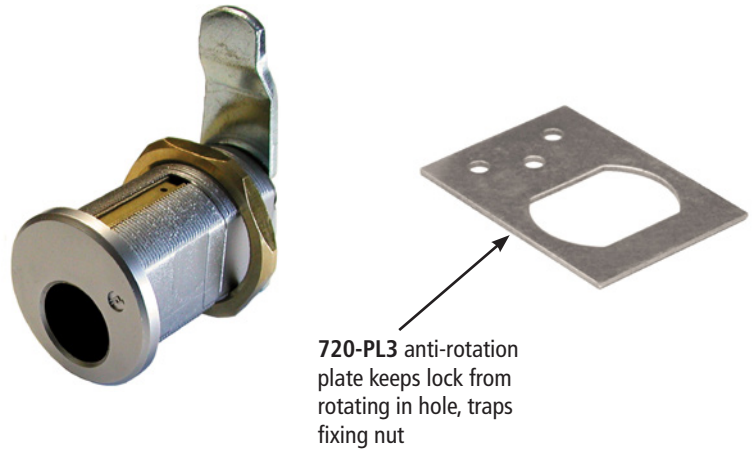
Optional cams: 7-3-2, 7-3-3, 7-3-4, 7-3-5

Trim collars: TR200 Series

Cylinder: 78-201 Series

Switch accessory pack: SW-1

CL-MP-118: Double-D metal punch



720-PL3 anti-rotation plate keeps lock from rotating in hole, traps fixing nut

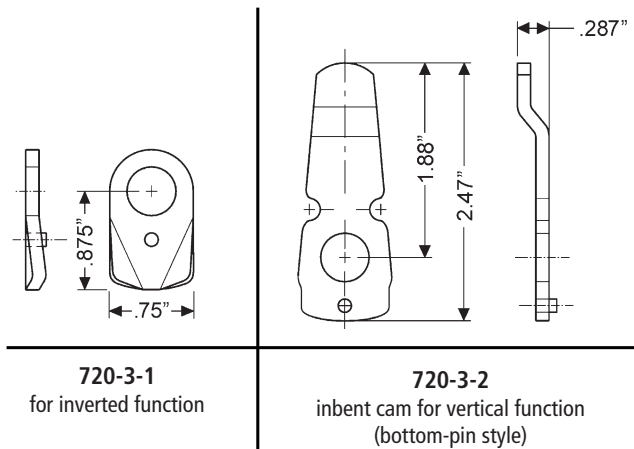
AVAILABLE FINISHES



US26D

US3

INCLUDED CAMS



720-3-1
for inverted function

720-3-2
inbent cam for vertical function
(bottom-pin style)



WARNING: This product can expose you to chemicals including chromium, which is known to the State of California to cause cancer and birth defects or other reproductive harm. For more information go to www.P65Warnings.ca.gov.



OLYMPUS[®]
LOCK
INC

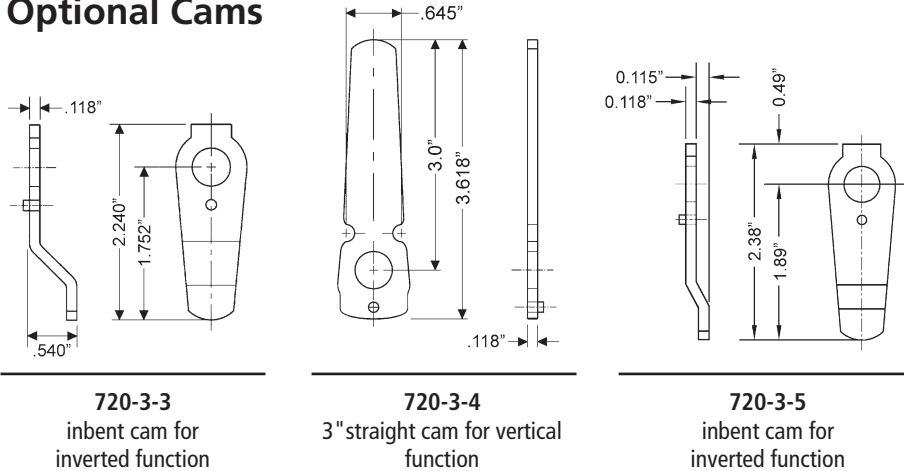
820LC

Woodwork Institute (WI)
acknowledged product

LC Series: Less Cylinder Cam Lock

OPTIONAL ACCESSORIES - See our website for a complete list of optional components.

Optional Cams



CL-MP-118 Double-D Metal Punch

Hole size: Punches a DOUBLE "D" hole size approximately 7/8" wide by 1-1/8" high.



SW-1 Switch Accessory Pack

Use: Includes parts to convert 720, 820, 920, CR25 ME93, SA54 or YA93 series cam locks into switch locks

Switches: Not included.

Accepts: Pin plunger style, snap acting, miniature switches:

- Omron - V Series
- Honeywell (MicroSwitch) - V Series
- Cherry - E Series
- Panasonic (Aromat) - ABV Type
- C&K (ITT) - TM & TF Series

Configuration: Can be configured for 1 or 2 switches



TR200 Series Trim Collars

Finish: TR201, TR202 and TR203 available in US32D or US3 finish. TR204* available in US32D finish only.



DIMENSIONS

