

829R-LC

LC Series: Schlage C Keyway Showcase/Ratchet Lock



Complies with clause 6.3
(8.2~8.4) of ANSI/BHMA
A156.11 ANSI standards

SPECIFICATIONS

- Rekeyable:** Easily rekeyable via set screw cylinder release mechanism
- ANSI/BHMA:** Complies with clause 6.3 (8.2~8.4) of ANSI/BHMA A156.11 ANSI standards
- Use:** Sliding glass or wood doors
- Body:** Zinc die cast
- Strap:** Steel
- Finish:** 26D
- Packaged:** Packed 10 per box

829R-LC CYLINDER INFORMATION

- Cylinder:** Not included
- Includes:** All parts necessary to work with other manufacturers' cylinders
- Accepts:** Schlage compatible key-in-knob cylinders including ILCO cylinder #1599 and Medeco cylinders
- Medeco cylinders:** Requires optional 829-MD Medeco Driver Pack (available separately.) Will accept the following Medeco cylinders:
 - Original: 6 pin #20-009S4
 - 5 pin #20-008S4
 - Biaxial: 6 pin #20W009S4
 - 5 pin #20W008S4
 - Keymark: 6 pin #20K009S4
 - Key retaining cylinder: #20W200S1

Compatible electronic cylinders: Medeco LOGIC, ASSA CLIQ or VIDEX CyberLock key-in-knob cylinders

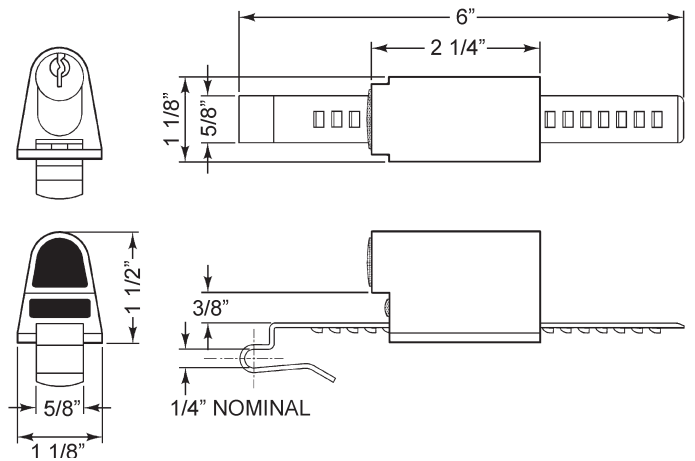
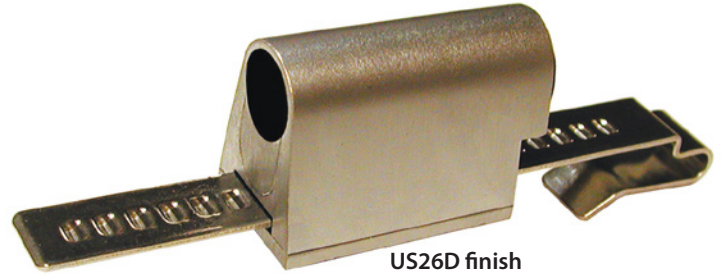
INCLUDES

729RS-1 strap for 3/16" to 1/4" material thickness

OPTIONAL ACCESSORIES

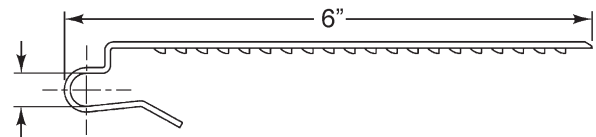
Alternate straps: 729RS-2 strap for 3/8" material thickness, or 729RS-3 strap for up to 5/8" material thickness

Cylinder: 78-201 Series

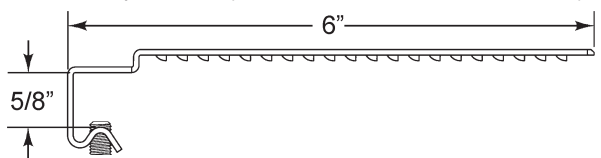


OPTIONAL STRAPS

729RS-2 strap for 3/8" material. Available separately.



729RS-3 adjustable strap for 3/8" to 5/8" material. Available separately.



OLYMPUS
LOCK, INC.
The cabinet lock innovators.