

920LM/DM

IC: Cam Lock for Schlage Full-Size Cores



For SCHLAGE full-size interchangeable core cylinders

**ANSI/BHMA Grade 1
E07261 | E07271**
**Woodwork Institute (WI)
acknowledged product**

SPECIFICATIONS

ANSI/BHMA: Passed ANSI/BHMA A156.11 Grade 1 performance requirements. Equivalent to E07261/E07271.

Cylinder diameter: 1-1/8"

Across flats: 7/8"

Max. material thickness: 1-3/16"

Min. material thickness: 0.08"

Functions: Includes parts for key-retaining or non-key-retaining function

Body: Zinc die cast

Finish: 26D or US3

Packaged: 10 per box

CYLINDER INFORMATION

Cylinder: Not included

Accepts: Schlage large format/full-size IC cylinders

- Schlage Quad, Numbered Section, and Schlage Classic IC cores
- Schlage Primus® and Everest large format IC cores
- Mul-T-Lock large format IC cores

Compatible electronic cylinders: VIDEX CyberLock LFIC cylinders

INCLUDED ACCESSORIES

7788-PA-D actuator to operate lock without core

720-PL3 anti-rotation plate

720-3-1 short inverted cam

720-3-2 long vertical cam

720-CDLM lost motion cam shifter

720-CDDM key retaining door cam shifter

720-KR key retaining drawer cam shifter

OPTIONAL ACCESSORIES

Optional cams: 7-3-2, 7-3-3, 7-3-4, 7-3-5

Trim collars: TR200 Series

Switch accessory pack: SW-1

CL-MP-118: Double-D metal punch

ANSI/BHMA No.
E07261 / E07271



US26D Finish

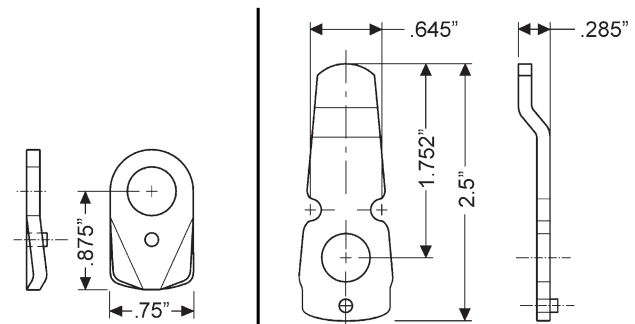


US3 Finish



720-PL3
Anti-rotation plate
included

INCLUDED CAMS



720-3-1
for inverted function

720-3-2
inbent cam for vertical function
(bottom-pin style)

920LM/DM

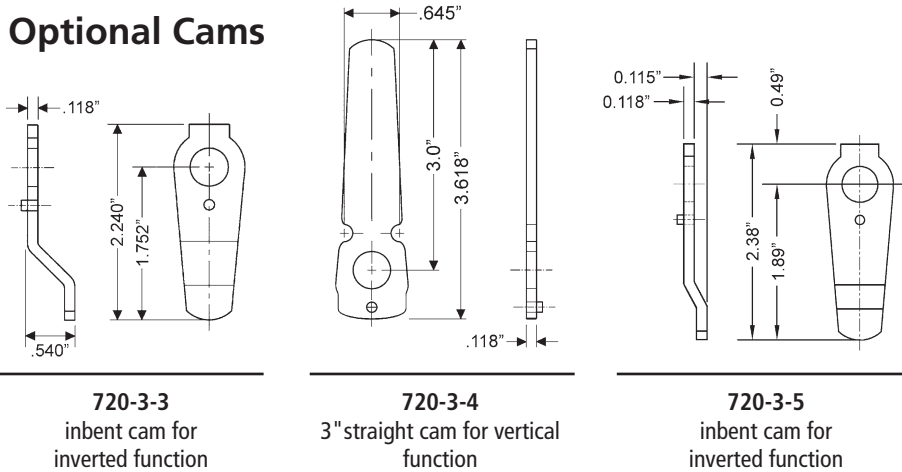
IC: Cam Lock for Schlage
Full-Size Cores

ANSI/BHMA Grade 1
E07261 | E07271

Woodwork Institute (WI)
acknowledged product

OPTIONAL ACCESSORIES - See our website for a complete list of optional components.

Optional Cams



CL-MP-118 Double-D Metal Punch

Hole size: Punches a DOUBLE "D" hole size approximately 7/8" wide by 1-1/8" high.



TR200 Series Trim Collars

Finish: TR201, TR202 and TR203 available in US32D or US3 finish. TR204* available in US32D finish only.



DIMENSIONS

