

CR25LM/DM

Cam Lock For Corbin Russwin Interchangeable Core



For CORBIN RUSSWIN interchangeable core cylinders

SPECIFICATIONS

Cylinder diameter: 1-1/8"
 Across flats: 7/8"
 Max. material thickness: 1-1/8"
 Min. material thickness: 0.08"
 Functions: Includes parts for key-retaining or non-key-retaining function
 Body: Zinc die cast
 Finish: 26D
 Packaged: 10 per box

CYLINDER INFORMATION

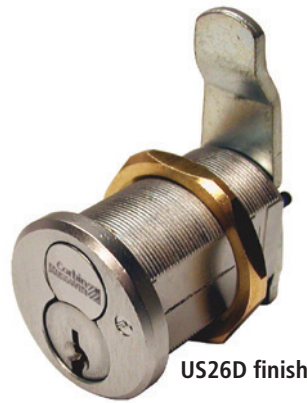
Cylinder: Not included
 Accepts: Corbin/Russwin interchangeable core cylinders

INCLUDED ACCESSORIES

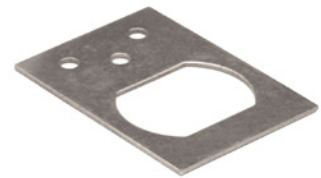
725-PA plastic thumbturn
 1125-1 spacer to fit 6 or 7 pin cores
 720-PL3 anti-rotation plate
 720-3-1 short inverted cam
 720-3-2 long vertical cam
 720-CDLM lost motion cam shifter
 720-CDDM key retaining door cam shifter
 720-KR key retaining drawer cam shifter

OPTIONAL ACCESSORIES

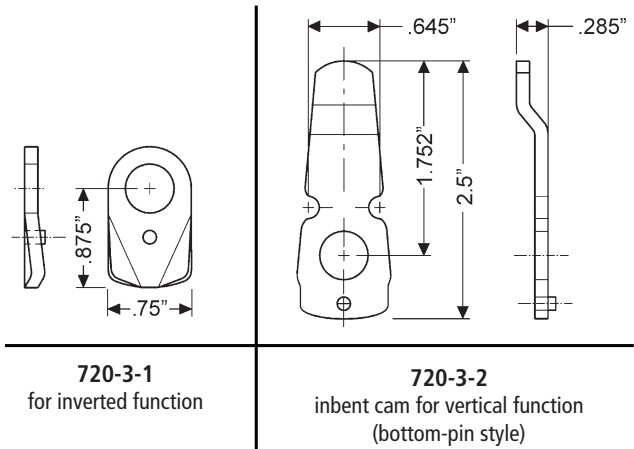
Optional cams: 7-3-2, 7-3-3, 7-3-4, 7-3-5
 Trim collars: TR200 Series
 Switch accessory pack: SW-1
 CL-MP-118: Double-D metal punch



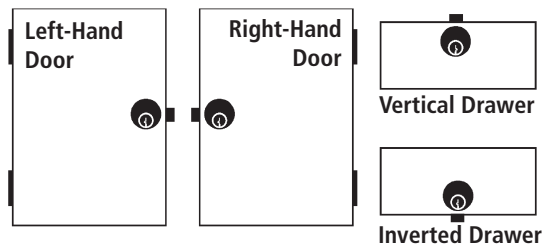
US26D finish



INCLUDED CAMS



HANDING CHART

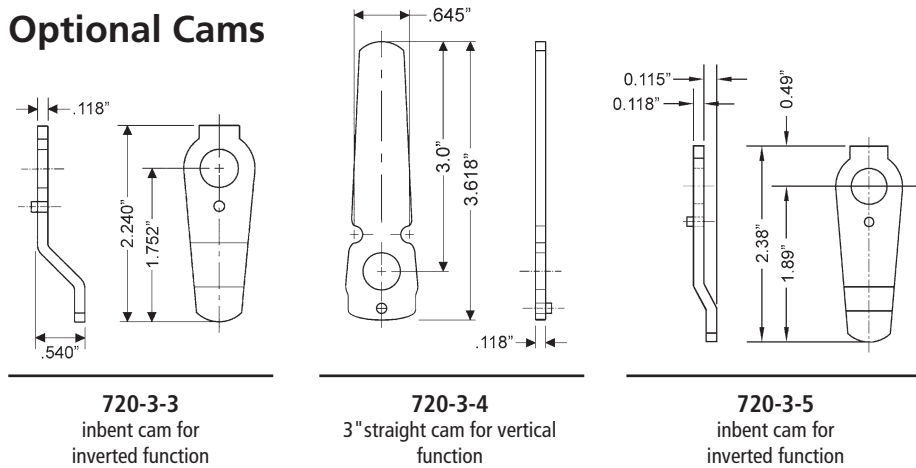


CR25LM/DM

Cam Lock For Corbin Russwin Interchangeable Core

OPTIONAL ACCESSORIES- See our website for a complete list of optional components.

Optional Cams



TR200 Series Trim Collars



CL-MP-118 Double-D Metal Punch

Hole size: Punches a DOUBLE "D" hole size approximately 7/8" wide by 1-1/8" high.



DIMENSIONS

