

# DCP SERIES

## 3/4" Padlockable Cam Lock

### SPECIFICATIONS

**Function:** Cam lock for use with padlock as locking device. Functions on doors or drawers. Ideal for locker applications.

**Through-hole:** 0.4"

**Padlocks:** Not included

**Max. material thickness:** 1-1/8"

**Barrel diameter:** 3/4"

**Finish:** 26D, US26, US3, US19

**Packaged:** Packed 15 per box

### INCLUDED ACCESSORIES

DCP-LC straight 1-1/4" cam

DCNP-SPW pronged wood washer

### OPTIONAL ACCESSORIES

**Anti-rotation plate:** DCP-500-ARP

**Padlock bumper plate:** DCP-SP1 (RH) or DCP-SP2 (LH). Available in US32 polished stainless steel or US26D satin chrome.

**Optional cams:** See chart below

### PADLOCKS

DCP works with most other manufacturer's padlocks with shackle diameter of 3/8" (10 mm) or less.

See Olympus Lock's BP Series (Mountain brand) brass padlocks.



US26 polished chrome

### DCP

**Use:** Ideal for locker applications

**Cams:** Alternate cams available separately.



US3 polished brass

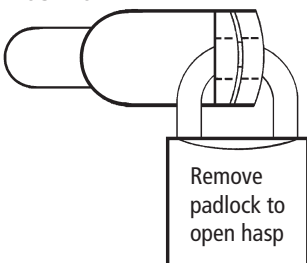


US19 flat black



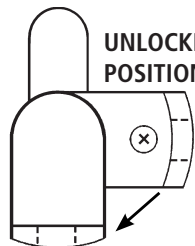
US26D satin chrome

LOCKED POSITION



Remove padlock to open hasp

UNLOCKED POSITION



Front arm of hasp will swing down lifting cam



**DCP-SP1** right-hand plate shown.

**DCP-SP2** left-hand plates coming June 2018

### DCP-SP1 (RH) / DCP-SP2 (LH) BUMPER PLATES

Available in US32 (polished stainless steel) or US26D (satin chrome). For use on right-hand (DCP-SP1) or left-hand (DCP-SP2) cabinet doors. Bumper plates sold separately.

# DCP SERIES

## 3/4" Padlockable Cam Lock

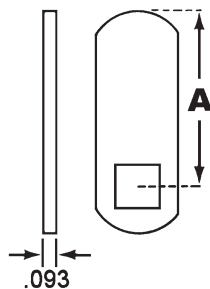
**OPTIONAL ACCESSORIES** - See our website for a complete list of optional components.

### Optional Cams

**Note:** Offset cams are reversible and can be used in either the inbent or outbent position.

#### STRAIGHT CAMS

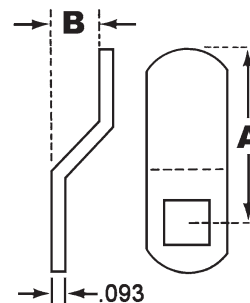
Part No.	Dim. A
DCP-SC	7/8"
DCP-LC (std)*	1-1/4"
DCP-LC-112	1-1/2"
DCP-LC-134	1-3/4"
DCP-LC-225	2-1/4"
DCP-LC-250	2-1/2"



**DCP-LC (std)** is included in standard package. All other cams are available separately.

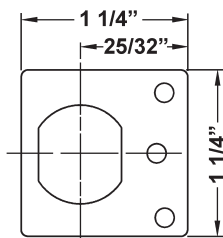
#### OFFSET CAMS

Part No.	Dim. A	Dim. B
DCP-1-14	1"	1/4"
DCP-LBC	1-1/4"	1/4"
DCP-114-18	1-1/4"	1/8"
DCP-118-18	1-1/8"	1/8"
DCP-114-38	1-1/4"	3/8"
DCP-LBC-138	1-3/8"	3/8"
DCP-LBC-178	1-7/8"	1/2"
DCP-112-14	1-1/2"	1/4"

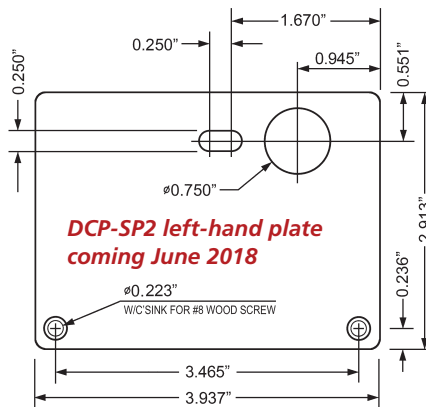


### Other Accessories

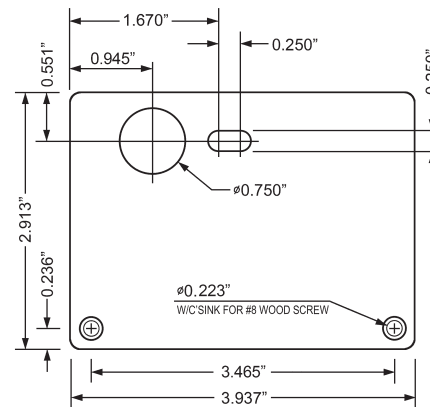
- DCNP-500-ARP provides a more secure mounting in particle board
- DCP-SP1 & DCP-SP2 protects face of cabinet from padlock and keys. Available in US32 (polished stainless) or US26D (satin chrome)



**DCNP-500-ARP**

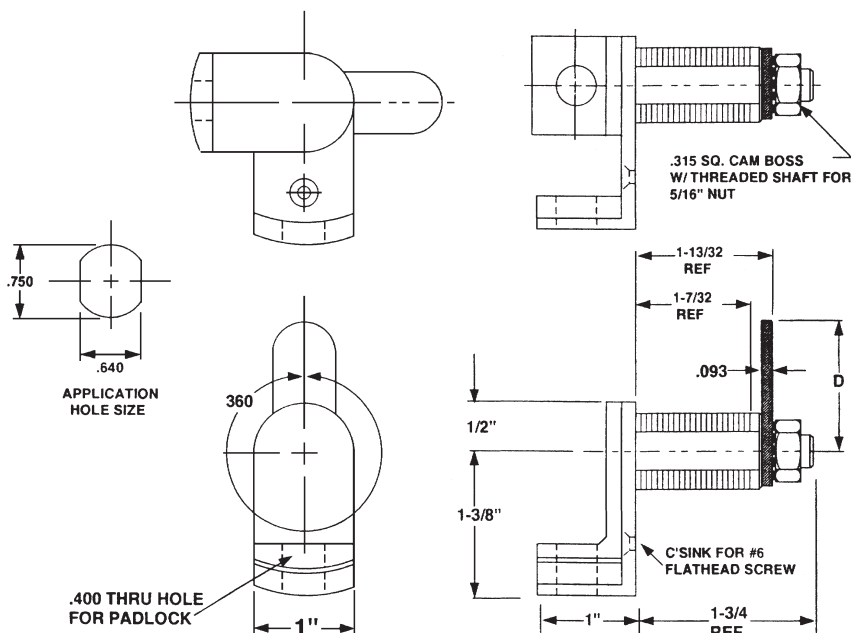


**DCP-SP2** - for left-hand cabinet doors



**DCP-SP1** - for right-hand cabinet doors

## DIMENSIONS



## PADLOCKS

### PADLOCK SPECIFICATIONS

The DCP works with most industry standard padlocks with a shackle diameter of 3/8" (10 mm) or less.

### OLYMPUS PADLOCKS

**Mountain Brand:** Blister packed brass padlocks  
**IC Core:** Brass padlocks for Corbin/Ruswin interchangeable cores (sold less core)



The DCP accepts padlocks with a shackle diameter of 3/8" (10 mm) or less

For more information on our complete line of padlocks visit [www.olympus-lock.com](http://www.olympus-lock.com)

