

# DCP500 SERIES

## 3/4" Padlockable Cam Lock with Finger Pull

### SPECIFICATIONS

**Function:** Cam lock for use with padlock as locking device. Functions on doors or drawers. Ideal for locker applications.

**Finger Pull:** Includes integrated finger pull

**Through-hole:** 0.4"

**Padlocks:** Not included

**Max. material thickness:** 1-1/8"

**Barrel diameter:** 3/4"

**Finish:** US26, US26D

**Packaged:** Packed 10 per box

### INCLUDED ACCESSORIES

DCP-LC straight 1-1/4" cam

DCNP-SPW pronged wood washer

### OPTIONAL ACCESSORIES

**Anti-rotation plate:** DCP-500-ARP

**Padlock bumper plate:** DCP-SP1 (RH) or DCP-SP2 (LH). Available in US32 polished stainless steel or US26D satin chrome.

**Optional cams:** See chart below

### PADLOCKS

DCP500 works with most other manufacturer's padlocks with shackle diameter of 3/8" (10 mm) or less.

See Olympus Lock's BP Series (Mountain brand) brass padlocks.

## DCP500

**Use:** Ideal for locker applications

**Cams:** Alternate cams available separately.

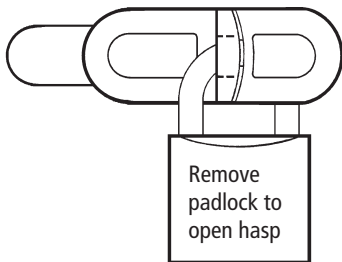


US26D polished chrome

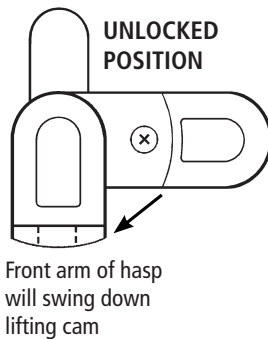


US26D satin chrome

LOCKED POSITION



UNLOCKED POSITION



**DCP-SP1** right-hand plate shown.

*DCP-SP2 left-hand plates coming June 2018*

### DCP-SP1 (RH) / DCP-SP2 (LH) BUMPER PLATES

Available in US32 (polished stainless steel) or US26D (satin chrome). For use on right-hand (DCP-SP1) or left-hand (DCP-SP2) cabinet doors. Bumper plates sold separately.

**OLYMPUS LOCK, INC.**  
The cabinet lock innovators.

# DCP500 SERIES

## 3/4" Padlockable Cam Lock with Finger Pull

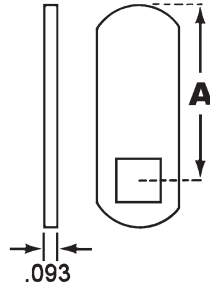
**OPTIONAL ACCESSORIES** - See our website for a complete list of optional components.

### Optional Cams

**Note:** Offset cams are reversible and can be used in either the inbent or outbent position.

#### STRAIGHT CAMS

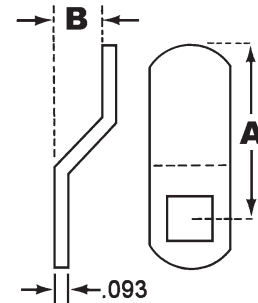
Part No.	Dim. A
DCP-SC	7/8"
DCP-LC (std)*	1-1/4"
DCP-LC-112	1-1/2"
DCP-LC-134	1-3/4"
DCP-LC-225	2-1/4"
DCP-LC-250	2-1/2"



**DCP-LC (std)** is included in standard package.  
All other cams are available separately.

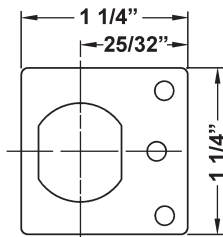
#### OFFSET CAMS

Part No.	Dim. A	Dim. B
DCP-1-14	1"	1/4"
DCP-LBC	1-1/4"	1/4"
DCP-114-18	1-1/4"	1/8"
DCP-118-18	1-1/8"	1/8"
DCP-114-38	1-1/4"	3/8"
DCP-LBC-138	1-3/8"	3/8"
DCP-LBC-178	1-7/8"	1/2"
DCP-112-14	1-1/2"	1/4"

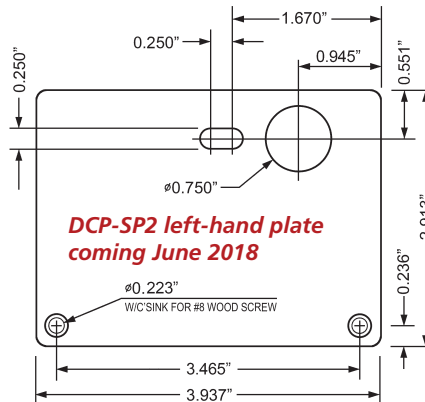


### Other Accessories

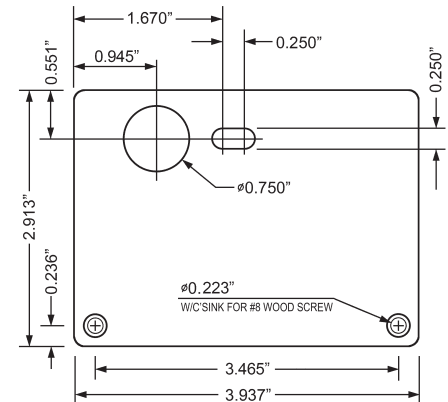
- DCNP-500-ARP provides a more secure mounting in particle board
- DCP-SP1 & DCP-SP2 protects face of cabinet from padlock and keys. Available in US32 (polished stainless) or US26D (satin chrome)



**DCNP-500-ARP**

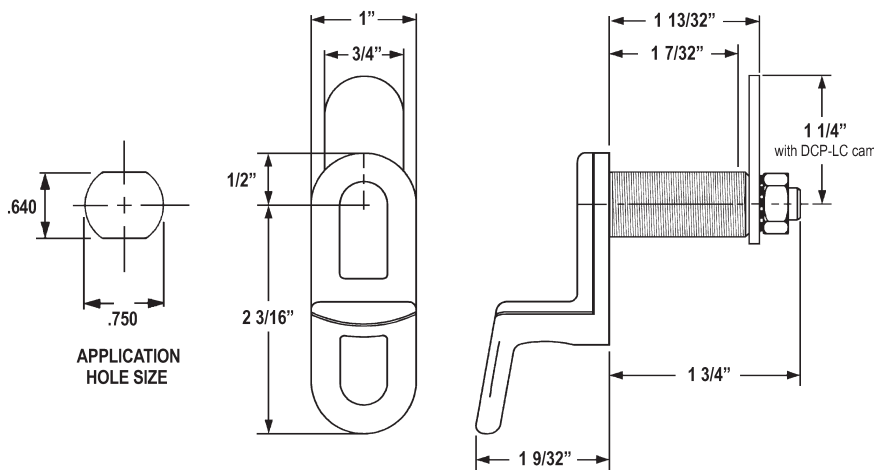


**DCP-SP2** - for left-hand cabinet doors



**DCP-SP1** - for right-hand cabinet doors

### DIMENSIONS



### PADLOCKS

#### PADLOCK SPECIFICATIONS

The DCP works with most industry standard padlocks with a shackle diameter of 3/8" (10 mm) or less.

#### OLYMPUS PADLOCKS

**Mountain Brand:** Blister packed brass padlocks  
**IC Core:** Brass padlocks for Corbin/Russwin interchangeable cores (sold less core)



The DCP accepts padlocks with a shackle diameter of 3/8" (10 mm) or less

For more information on our complete line of padlocks visit [www.olympus-lock.com](http://www.olympus-lock.com)