

# DCR SERIES

## R Series: 3/4" Cam Lock

**ANSI/BHMA Grade 1**  
**E07261 | E07271**  
**Woodwork Institute (WI)**  
**acknowledged product**

### SPECIFICATIONS

**Keying:** Can be keyed together with other R Series locks  
**Cylinder length:** DCR1 =1", DCR2=1-1/8", DCR3=1-3/8" and DCR4=1-3/4"  
**Rekeyable:** Easily rekeyable via cylinder retainer clip  
**ANSI/BHMA:** Passed ANSI/BHMA A156.11 Grade 1 performance requirements. Equivalent to E07261 / E07271.  
**US Patent Nos:** 5,038,589; 5,737,950  
**Body:** Zinc die cast  
**Cylinder:** Zinc die cast, pin tumbler  
**Standard function:** Key removable in locked or unlocked position.  
**Key retaining function:** Alternate key-retaining shifters are available separately for key removable in locked position only.  
**Cams:** 2 reversible cams work in all positions  
**Face:** 1" face covers splintering, no additional trim ring required  
**Finish:** 26D or US3  
**Packaged:** Packed 10 per box

### KEYING INFORMATION

**Keyway:** R Series (equivalent to CCL R1 system)  
**Keys:** Includes 2 keys per lock  
**Stock keying:** KD/KA - 5 pin standard  
**Stock KA#:** 4T21579, 4T37526  
**Masterkeyed:** 5 pin standard  
**Grand masterkeyed:** Available  
**Keyblank 5-pin:** KBR-5-NP (equivalent to CO106, 1003A)

### INCLUDED ACCESSORIES

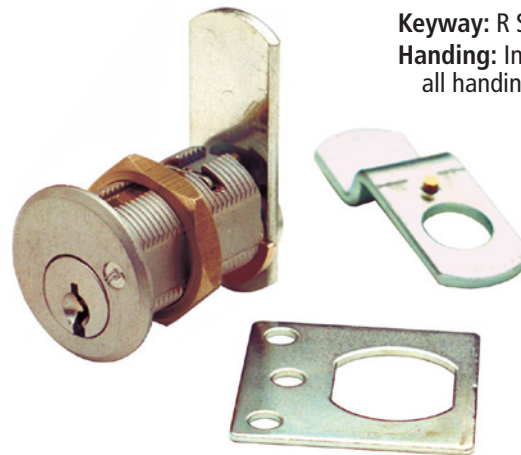
See below.

### OPTIONAL ACCESSORIES

Alternate cams  
 Key retaining drawer cam shifter  
 Key retaining door cam shifter

### DCR

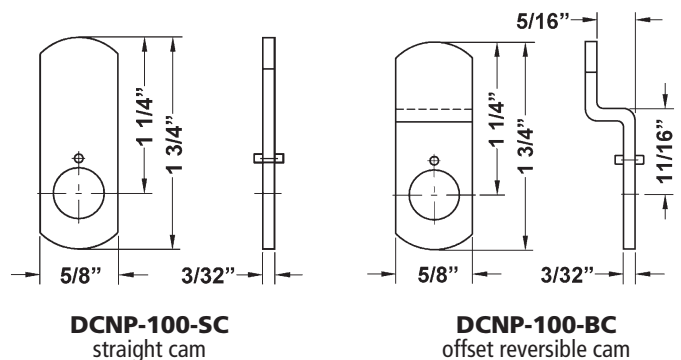
**Keyway:** R Series, CCL R1 Keyway  
**Handing:** Includes 2 cams that work in all handings (door or drawer)



### DCR SERIES FEATURES

- Non-handed—Field reversible locking positions: right-hand, left-hand, vertical and inverted
- Only 2 cams required—Ships with reversible straight and offset cams that meet requirements of all locking positions
- Easy rekeyability—Allows for a quick installation and increased productivity
- Anti-rotation plate—Eliminates lock rotation, prevents loosening of fixing nut, and provides additional security in particleboard applications

### INCLUDED CAMS



# DCR SERIES

## R Series: 3/4" Cam Lock

ANSI/BHMA Grade 1  
E07261 | E07271

Woodwork Institute (WI)  
acknowledged product

**OPTIONAL ACCESSORIES** - See our website for a complete list of optional components.

### Other Accessories

#### Key-retaining cam shifters

- For door function: DCNP-200-KDR
- For Drawer function: DCNP-200-KR

#### Washers

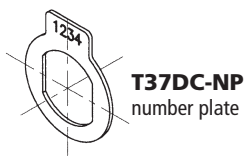
- Pronged wood washer: DCNP-SPW
- Self-adhesive clear plastic washer for mounting lock on glass: DCNP-GW

#### Finger Pull

- Finger pull: DCNP-300-FP

#### Number Plates

- T37DC-NP number plate



### TRB7 Series Trim Collars

Finish: US26D



### Optional Cams

Note: Offset cams are reversible and can be used in either the inbent or outbent position.

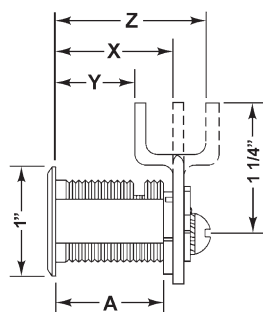
Item	Description / Packed
DCNP-HD-875	7/8" long straight cam
DCNP-HD-1	1" long straight cam
DCNP-100-SC	1-1/4" long straight cam
DCNP-100-SC2	1-3/4" long straight cam
DCNP-100-LC	3" long straight cam

Item	Description / Packed
DCNP-100-B1	Straight cam with oval cutout
DCNP-100-B2	U-shaped cam
DCNP-100-B3	Straight hook cam
DCNP-100-WB	Short cam / 90° offset arm

Item	Description / Packed
DCNP-100-BC	1-1/4" long cam, 5/16" offset
DCNP-100-BC5	1-1/4" long cam, 1/2" offset
DCNP-100-HC1	1-1/2" long hook cam, 5/16" offset
DCNP-100-HD	1-7/16" long cam, 1/2" offset
DCNP-100-HD2	1-3/4" long cam, 5/16" offset
DCNP-100-HD3	1-1/8" long cam, 5/16" offset
DCNP-100-LBC	1-1/2" long cam, 5/16" offset

>> Visit our website [www.olympus-lock.com](http://www.olympus-lock.com) for complete dimension and descriptions of available optional cams.

### DIMENSIONS | TYPICAL INSTALLATION



#### DIMENSIONS

	For Mat. Thickness	Straight Cam (X)	Inbent Cam (Y)	Outbent Cam (Z)	Cylinder Length (A)
DCR1	3/4"	1-1/16"	3/4"	1-3/8"	1"
DCR2	7/8"	1-3/16"	7/8"	1-1/2"	1-1/8"
DCR3	1-1/8"	1-7/16"	1-1/8"	1-3/4"	1-3/8"
DCR4	1-1/2"	1-13/16"	1-1/2"	2-1/8"	1-3/4"

#### MOUNTING CUTOUT

