

ME93

IC Core: Cam Lock For Medeco Large Format IC cores



For MEDECO style large format interchangeable core cylinders

NOTE: Medeco "Keymark" cylinders require Best compatible (small format) lock bodies.

SPECIFICATIONS

- Cylinder diameter: 1-1/8"
- Across flats: 7/8"
- ME93 Max. material thickness: 1-1/4"
- Min. material thickness: 0.08"
- Functions: Includes parts for key-retaining or non-key-retaining function
- Body: Zinc die cast
- Finish: 26D
- Packaged: 10 per box

ME93 CYLINDER INFORMATION

- Cores: Not included.
- Medeco cylinder: Accepts Medeco #32-0201 (6-pin) IC cylinder.
- Special note: Medeco "Keymark" cylinders require Best compatible (small format) cabinet lock bodies.

INCLUDED ACCESSORIES

- 931-PA plastic thumbturn
- 720-PL3 anti-rotation plate
- 720-3-1 short inverted cam
- 720-3-2 long vertical cam
- 720-CDLM lost motion cam shifter
- 720-CDDM key retaining door cam shifter
- 720-KR key retaining drawer cam shifter

OPTIONAL ACCESSORIES

- Optional cams: 7-3-2, 7-3-3, 7-3-4, 7-3-5
- Trim collars: TR200 Series
- Switch accessory pack: SW-1
- CL-MP-118: Double-D metal punch

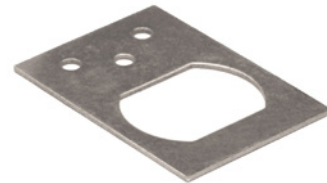
ME93

Function: Cam Lock

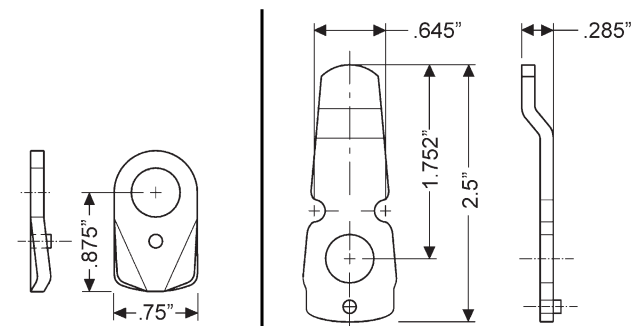


US26D Finish

720-PL3 anti-rotation plate keeps lock from rotating in hole, traps fixing nut



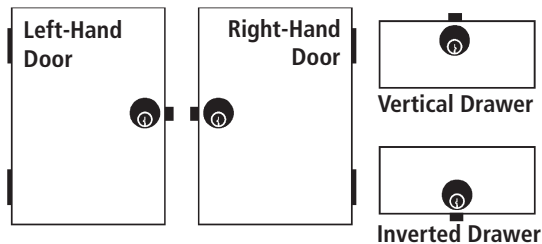
INCLUDED CAMS



720-3-1 for inverted function

720-3-2 inbent cam for vertical function (bottom-pin style)

HANDING CHART

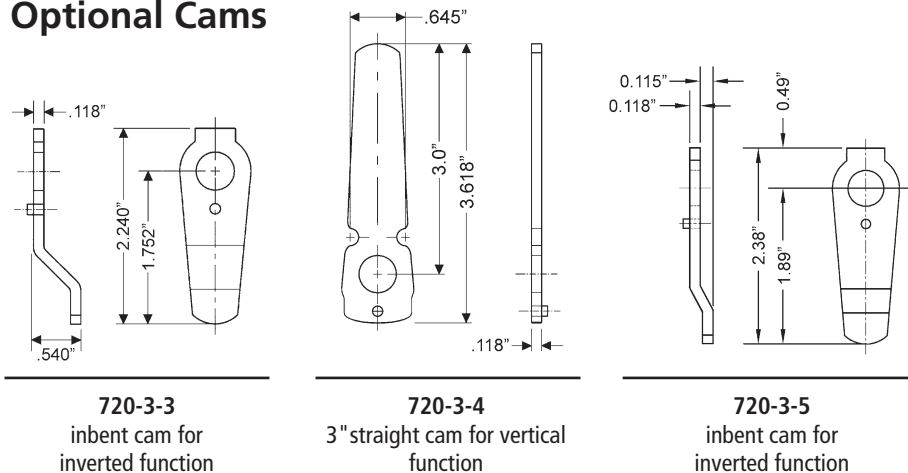


ME93

IC Core: Cam Lock For Medeco Large Format IC cores

OPTIONAL ACCESSORIES - See our website for a complete list of optional components.

Optional Cams



CL-MP-118 Double-D Metal Punch

Hole size: Punches a DOUBLE "D" hole size approximately 7/8" wide by 1-1/8" high.



SW-1 Switch Accessory Pack

Use: Includes parts to convert 720, 820, 920, CR25 ME93, SA54 or YA93 series cam locks into switch locks

Switches: Not included.

Accepts: Pin plunger style, snap acting, miniature switches:

- Omron - V Series
- Honeywell (MicroSwitch) - V Series
- Cherry - E Series
- Panasonic (Aromat) - ABV Type
- C&K (ITT) - TM & TF Series

Configuration: Can be configured for 1 or 2 switches



TR200 Series Trim Collars

Finish: TR201, TR202 and TR203 available in US32D or US3 finish. TR204* available in US32D finish only.



DIMENSIONS

