

SA54

IC Core: Cam Lock For Sargent IC cores



For SARGENT
interchangeable
core cylinders

SPECIFICATIONS

Cylinder diameter: 1-1/8"

Across flats: 7/8"

Max. material thickness: 1-1/8"

Min. material thickness: 0.08"

Functions: Includes parts for key-retaining or non-key-retaining function

Body: Zinc die cast

Finish: 26D

Packaged: Packed 10 per box

CYLINDER INFORMATION

Cylinder: Not included

Accepts: Sargent 6300 Series interchangeable core cylinders

Note: Use of Sargent "Degree" interchangeable cores requires purchase of alternate SA54-PD-DG prong driver.

INCLUDED ACCESSORIES

Plastic actuator to operate lock without core

720-PL3 anti-rotation plate

720-3-1 short inverted cam

720-3-2 long vertical cam

720-CDLM lost motion cam shifter

720-CDDM key retaining door cam shifter

720-KR key retaining drawer cam shifter

Prong driver for Sargent 6300 series interchangeable cores

OPTIONAL ACCESSORIES

Optional cams: 7-3-2, 7-3-3, 7-3-4, 7-3-5

Trim collars: TR200 Series

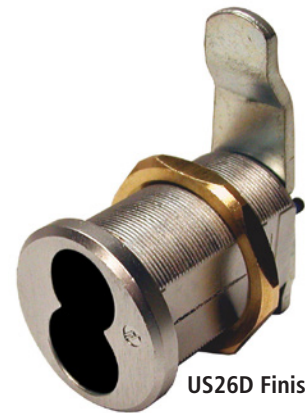
Switch accessory pack: SW-1

CL-MP-118: Double-D metal punch

Prong Driver: SA54-PD-DG for use with Sargent "Degree" interchangeable cores

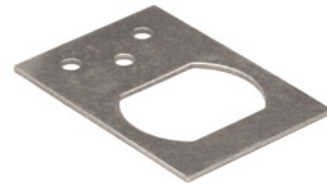
SA54

Function: Cam Lock

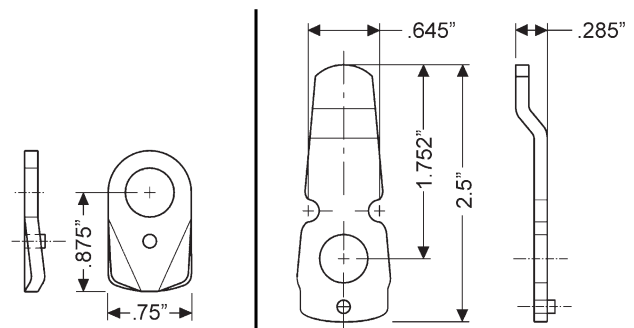


US26D Finish

720-PL3 anti-rotation plate keeps lock from rotating in hole, traps fixing nut



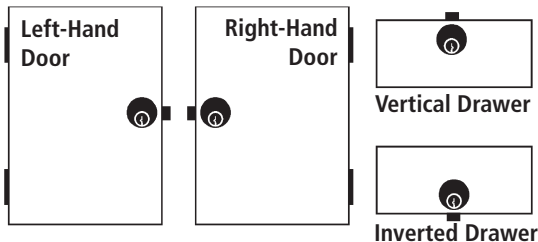
INCLUDED CAMS



720-3-1
for inverted function

720-3-2
inbent cam for vertical function
(bottom-pin style)

HANDING CHART

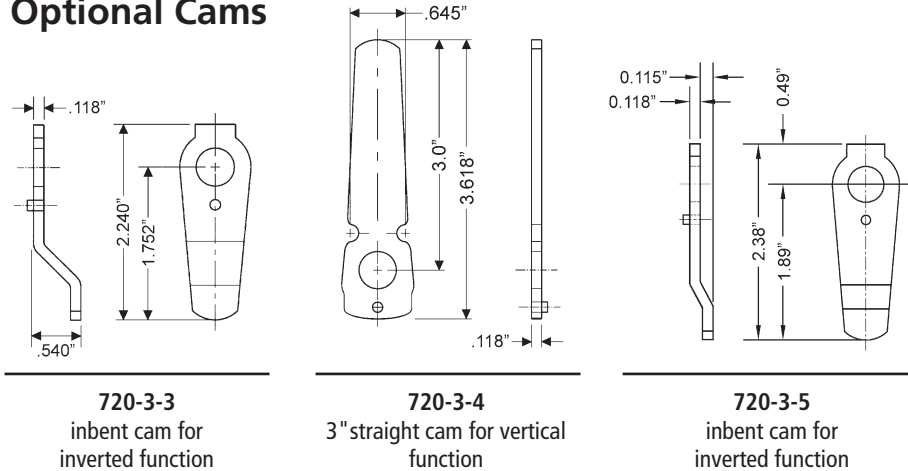


SA54

IC Core: Cam Lock For Sargent IC cores

OPTIONAL ACCESSORIES - See our website for a complete list of optional components.

Optional Cams



CL-MP-118 Double-D Metal Punch

Hole size: Punches a DOUBLE "D" hole size approximately 7/8" wide by 1-1/8" high.



SW-1 Switch Accessory Pack

Use: Includes parts to convert 720, 820, 920, CR25 ME93, SA54 or YA93 series cam locks into switch locks

Switches: Not included.

Accepts: Pin plunger style, snap acting, miniature switches:

- Omron - V Series
- Honeywell (MicroSwitch) - V Series
- Cherry - E Series
- Panasonic (Aromat) - ABV Type
- C&K (ITT) - TM & TF Series

Configuration: Can be configured for 1 or 2 switches



TR200 Series Trim Collars

Finish: TR201, TR202 and TR203 available in US32D or US3 finish. TR204* available in US32D finish only.



DIMENSIONS

