

# SLT-01 | SLT-02

## Cabinet Lock Conversion Kits For US Rim Cylinders

### SPECIFICATIONS

**Conversion Kit:** Allows you to convert a US rim cylinder into a latch or deadbolt cabinet lock  
**Function:** Will work for cabinet doors or drawers  
**US Patent:** 11,124,988 B1  
**Body:** Zinc die cast  
**Barrel diameter:** 1-9/64"  
**Cylinder length:** Determined by provided rim cylinder screws and tailpiece  
**Finish:** US26D satin chrome

### CYLINDER INFORMATION

**Rim cylinder:** Not included  
**Accepts:** Standard US rim cylinders

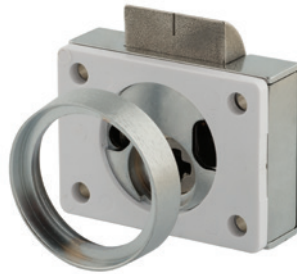
### INCLUDED ACCESSORIES

#### For Latch Lock Kit:

- 10-350 plastic spacer
- L78ST-1-SS stainless steel lip strike
- SLT-TR 21/64" trim bezel

#### For Deadbolt Lock Kit:

- 10-350 plastic spacer
- 10-054 1/4" plastic bar strike
- SLT-TR 21/64" trim bezel



### SLT-01 Latch

**Function:** Cabinet latch lock kit  
**Standard function:** Non-handed. Can be used for doors or drawers.



L78ST-1-SS  
Matching lip strike



### SLT-02 Deadbolt

**Function:** Cabinet deadbolt lock kit  
**Standard function:** Non-handed. Can be used for doors or drawers.



10-054 bar strike  
1/4" plastic bar strike

*Works with Salto US electronic rim cylinder  
or other standard US rim cylinders.*



Salto, XS4 and GEO are registered tradenames of Salto Systems S.L.



*US rim cylinder  
(not included)*



**WARNING:** This product can expose you to chemicals including chromium, which is known to the State of California to cause cancer and birth defects or other reproductive harm. For more information go to [www.P65Warnings.ca.gov](http://www.P65Warnings.ca.gov).



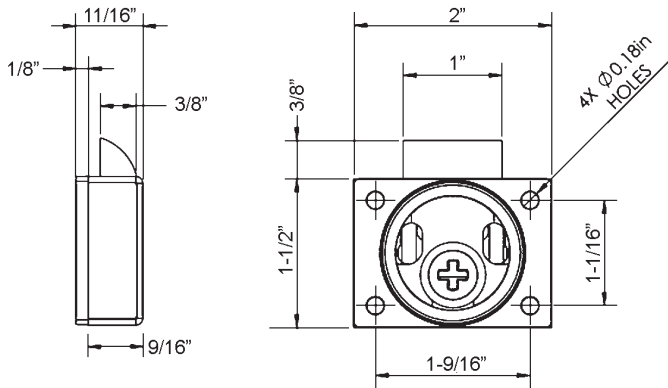
**OLYMPUS<sup>®</sup>**  
**LOCK**  
INC

# SLT-01 | SLT-02

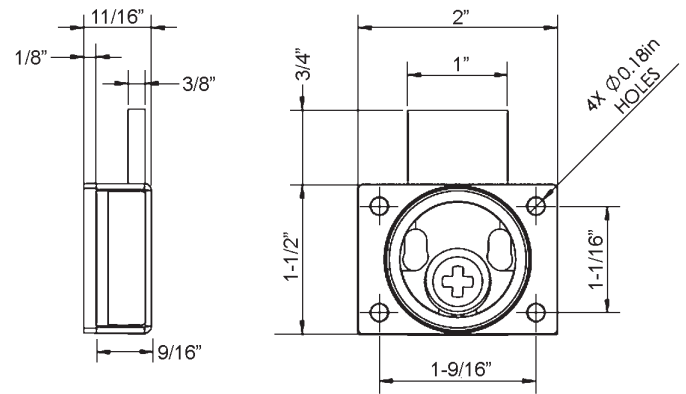
## Cabinet Lock Conversion Kits For US Rim Cylinders

### DIMENSIONS

#### SLT-01 LATCH



#### SLT-02 DEADBOLT



### TYPICAL INSTALLATION

