

# SLT-01 | SLT-02

## Cabinet Lock Conversion Kits For SALTO Electronic Rim Cylinders

### SPECIFICATIONS

**Conversion Kit:** Allows you to convert a SALTO US rim cylinder into a latch or deadbolt cabinet lock

**Function:** Will work for cabinet doors or drawers

**US Patent:** 11,124,988 B1

**Body:** Zinc die cast

**Barrel diameter:** 1-9/64"

**Cylinder length:** Determined by provided rim cylinder screws and tailpiece

**Finish:** US26D satin chrome

### CYLINDER INFORMATION

**Rim cylinder:** Not included

**Accepts:** SALTO G9B1 GEO US rim cylinder

### INCLUDED ACCESSORIES

**For Latch Lock Kit:**

10-350 plastic spacer

L78ST-1-SS stainless steel lip strike

SLT-TR 21/64" trim bezel

**For Deadbolt Lock Kit:**

10-350 plastic spacer

10-054 1/4" plastic bar strike

SLT-TR 21/64" trim bezel



Salto cylinder not included.

L78ST-1-SS  
Matching lip strike

### SLT-01 Latch

**Function:** Cabinet latch lock kit  
**Standard function:** Non-handed.  
Can be used for doors or drawers



Salto cylinder not included.

10-054 bar strike  
1/4" plastic bar strike

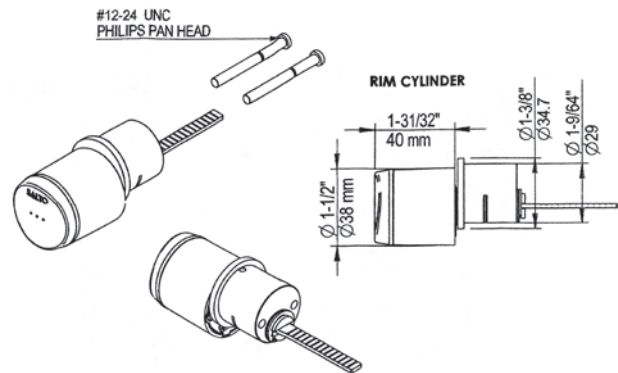
### SLT-02 Deadbolt

**Function:** Cabinet deadbolt lock kit  
**Standard function:** Non-handed.  
Can be used for doors or drawers.



**Accepts:** Salto XS4 GEO US rim cylinder #G9B1

Salto, XS4 and GEO are registered tradenames of Salto Systems S.L.



**WARNING:** This product can expose you to chemicals including chromium, which is known to the State of California to cause cancer and birth defects or other reproductive harm. For more information go to [www.P65Warnings.ca.gov](http://www.P65Warnings.ca.gov).



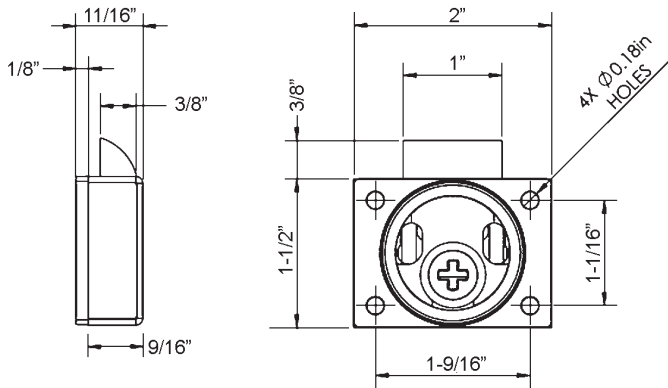
**OLYMPUS<sup>®</sup>**  
**LOCK**  
INC

# SLT-01 | SLT-02

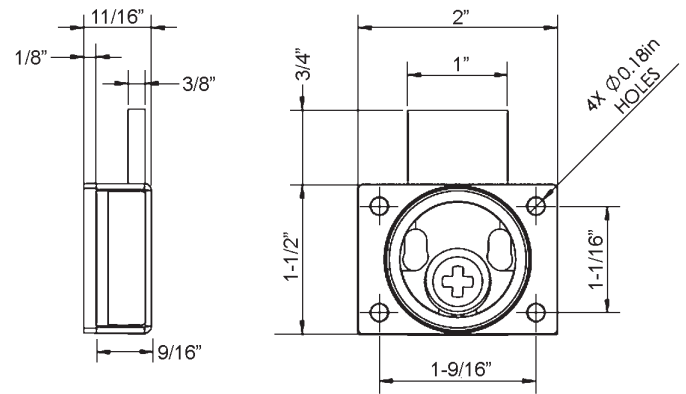
## Cabinet Lock Conversion Kits For SALTO Electronic Rim Cylinders

### DIMENSIONS

#### SLT-01 LATCH



#### SLT-02 DEADBOLT



### TYPICAL INSTALLATION

