

YA93

IC Core: Cam Lock For Yale Large Format IC cores



For YALE style 6-pin large format interchangeable core cylinders

SPECIFICATIONS

Cylinder diameter: 1-1/8"
 Across flats: 7/8"
 YA93 Max. material thickness: 1-5/16"
 Min. material thickness: 0.08"
 Functions: Includes parts for key-retaining or non-key-retaining function
 Body: Zinc die cast
 Finish: 26D
 Packaged: 10 per box

YA93 CYLINDER INFORMATION

Cores: Not included.
 Yale cylinder: Accepts Yale 1210 Series (6-pin) IC cylinder and Medeco #31-0100 (6-pin) Yale compatible IC cylinder.
 Assa cylinder: Accepts ASSA's 6-pin, Yale-compatible large format IC cylinder.
 Medeco cylinder: Accepts Medeco's 31 Series Yale-compatible large format IC cylinder.

INCLUDED ACCESSORIES

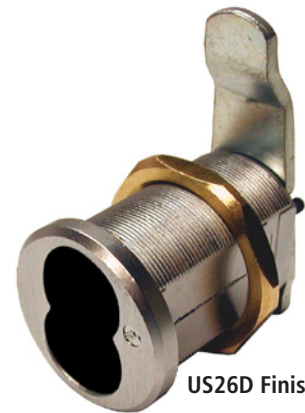
931-PA plastic thumbturn
 720-PL3 anti-rotation plate
 720-3-1 short inverted cam
 720-3-2 long vertical cam
 720-CDLM lost motion cam shifter
 720-CDDM key retaining door cam shifter
 720-KR key retaining drawer cam shifter

OPTIONAL ACCESSORIES

Optional cams: 7-3-2, 7-3-3, 7-3-4, 7-3-5
 Trim collars: TR200 Series
 Switch accessory pack: SW-1
 CL-MP-118: Double-D metal punch

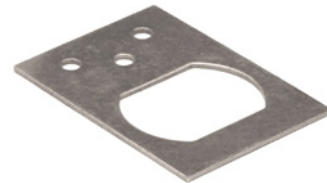
YA93

Function: Cam Lock

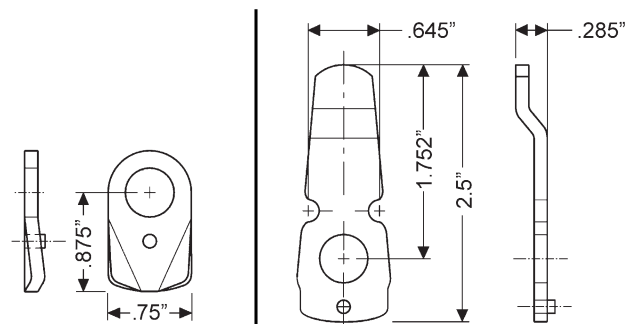


US26D Finish

720-PL3 anti-rotation plate keeps lock from rotating in hole, traps fixing nut



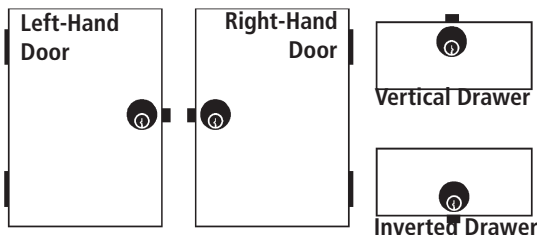
INCLUDED CAMS



720-3-1 for inverted function

720-3-2 inbent cam for vertical function (bottom-pin style)

HANDING CHART

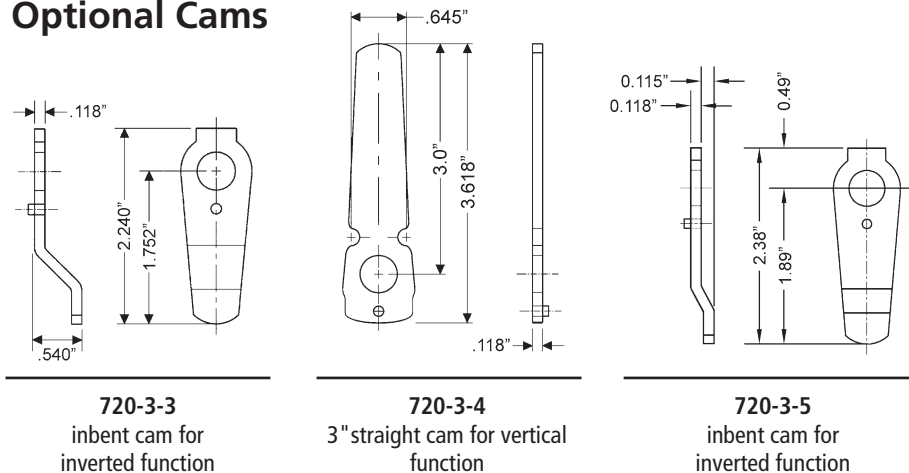


YA93

IC Core: Cam Lock For Yale Large Format IC cores

OPTIONAL ACCESSORIES - See our website for a complete list of optional components.

Optional Cams



CL-MP-118 Double-D Metal Punch

Hole size: Punches a DOUBLE "D" hole size approximately 7/8" wide by 1-1/8" high.



SW-1 Switch Accessory Pack

Use: Includes parts to convert 720, 820, 920, CR25 ME93, SA54 or YA93 series cam locks into switch locks

Switches: Not included.

Accepts: Pin plunger style, snap acting, miniature switches:

- Omron - V Series
- Honeywell (MicroSwitch) - V Series
- Cherry - E Series
- Panasonic (Aromat) - ABV Type
- C&K (ITT) - TM & TF Series

Configuration: Can be configured for 1 or 2 switches



TR200 Series Trim Collars

Finish: TR201, TR202 and TR203 available in US32D or US3 finish. TR204* available in US32D finish only.



DIMENSIONS

