



- FM products

Extension 1-1/8" -

Article number: 12 177 970 90

- For xTool thermostat modules 35 416 / 436 / 516 / 526 / 528 / 529 / 546 / 548 / 549 970 90



All dimensions in mm / inch = mm x 0,0394



- FM products

Extension 1-1/8" -

Article number: 12 177 970 90

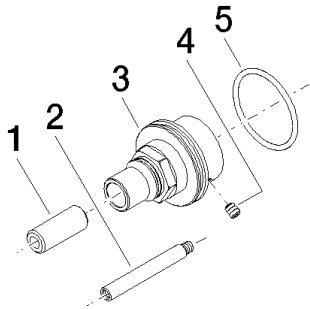


- FM products

Extension 1-1/8" -

Article number: 12 177 970 90

Spare parts list



Number	Item Number	Designation	Number of units
1	09 21 02 111 90	Wall connection -	1
2	04 31 09 095 00 90	Mounting bracket -	1
3	09 21 02 110 90	Extension -	1
4	09 31 11 079 90	Mounting bracket -	2
5	09 14 10 038 90	Washer -	1