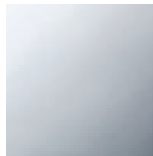




Kitchen sink - Tara Classic  
HOT & COLD WATER DISPENSER - polished chrome  
Article number: 17 861 888-00



- 5-3/4" Projection
- Rigid, thermally insulated spout
- Laminar stream
- Total height 11-3/8"
- 7-1/8" height to aerator/spout outlet
- 1-3/8" hole diameter
- Provides filtered, hot water, 199°F max. temperature
- Provides filtered, cold water (not chilled)
- Water flow rate limited to max. 0.5 gpm
- control unit for wall assembly (5-3/8" x 6-1/4" x 2-3/8")
- electronic valve
- plug-in power supply, 100-230 V, 50-60 Hz, 18 W, incl. country-specific adaptor set
- lead-free
- One lever for hot and cold water
- Fittings group in compliance with DIN 4109: 1
- (ADA)
- Compatible with Insinkerator® hot water tank HWT-F1000S. Tank and filter not supplied from Dornbracht. More information on tank and filter at [www.insinkerator.com](http://www.insinkerator.com).
- We recommend replacing the filter cartridge every six months. Please see the installation manual for more information.
- Specification and technical data sheets can be found on [www.dornbracht.com/professional](http://www.dornbracht.com/professional)

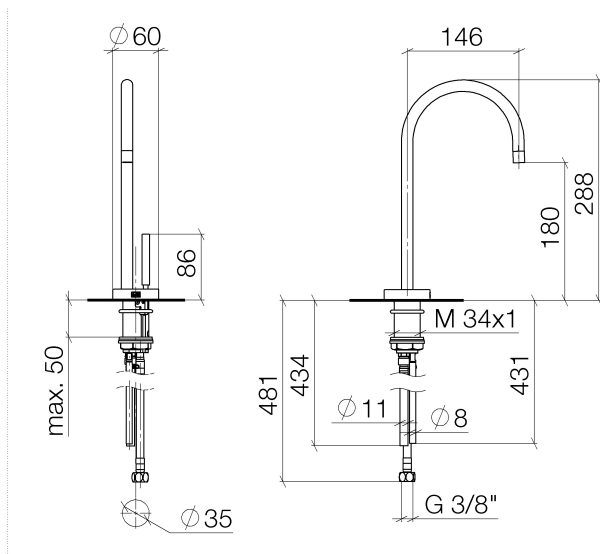


polished chrome



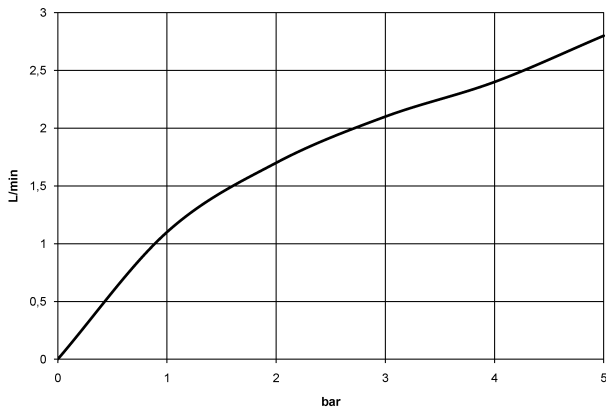
Kitchen sink - Tara Classic  
HOT & COLD WATER DISPENSER - polished chrome  
Article number: 17 861 888-00

### Dimensional drawing



All dimensions in mm / inch = mm x 0,0394

### Flow rate chart



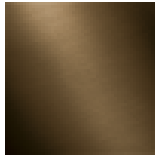


Kitchen sink - Tara Classic  
 HOT & COLD WATER DISPENSER - polished chrome  
 Article number: 17 861 888-00

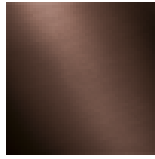
### Other surface finishes



platinum matte  
 17 861 888-06



Dark Brass matte  
 17 861 888-16



Dark Bronze matte  
 17 861 888-17



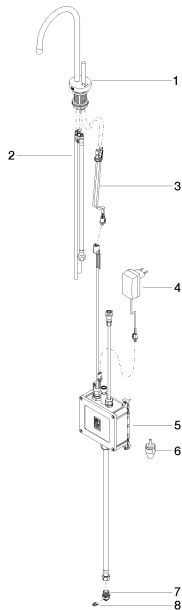
Cyprus  
 17 861 888-49



Dark Platinum matte  
 17 861 888-99

More custom finish options are available via special production (xTra Service). Please see our finish matrix for availability and pricing or contact a Dornbracht representative.

### Spare parts list



Number	Item Number	Designation	Number of units
1	90 17 85 100 06-00	Outlet - polished chrome	1
2	90 30 04 067 00 90	Tube -	1
3	90 10 01 048 00 90	Control unit -	1
4	04 10 01 050 00 90	Power supply -	1
5	04 11 11 064 00 90	Control unit -	1
6	90 24 04 291 00 90	Wall connection -	1
7	09 24 04 293 90	Nipple -	1
8	09 16 01 045 90	Ring -	1