



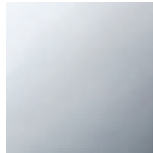
Sink - LULU

Three-hole lavatory mixer with drain - polished chrome

Article number: 20 713 710-00 0010



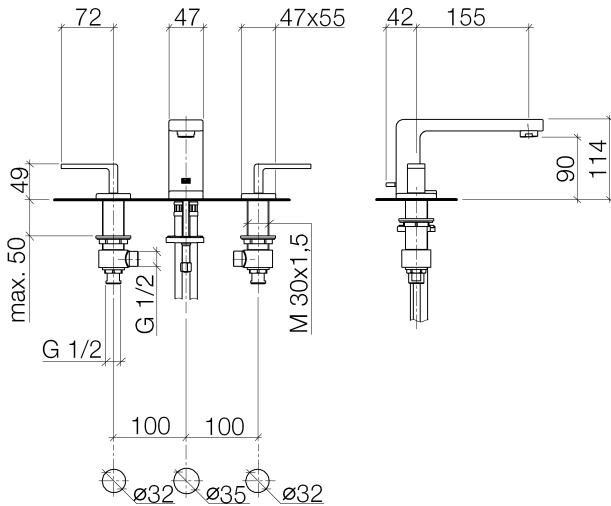
- 6-1/8" Projection
- Rigid spout
- US drain with overflow
- Round aerated stream
- Total height 4-1/2"
- Height to aerator/spout outlet 3-1/2"
- Valve hole diameter 1-1/4"
- Spout hole diameter 1-3/8"
- Flange 1-7/8" x 2-1/8"
- Water flow rate limited to max. 1.2 gpm
- lead-free



polished chrome



Dimensional drawing





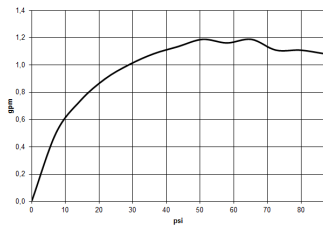
Sink - LULU

Three-hole lavatory mixer with drain - polished chrome

Article number: 20 713 710-00 0010

All dimensions in mm / inch = mm x 0,0394

Flow rate chart





Sink - LULU

Three-hole lavatory mixer with drain - polished chrome

Article number: 20 713 710-00 0010

Other surface finishes



platinum matte

20 713 710-06 0010

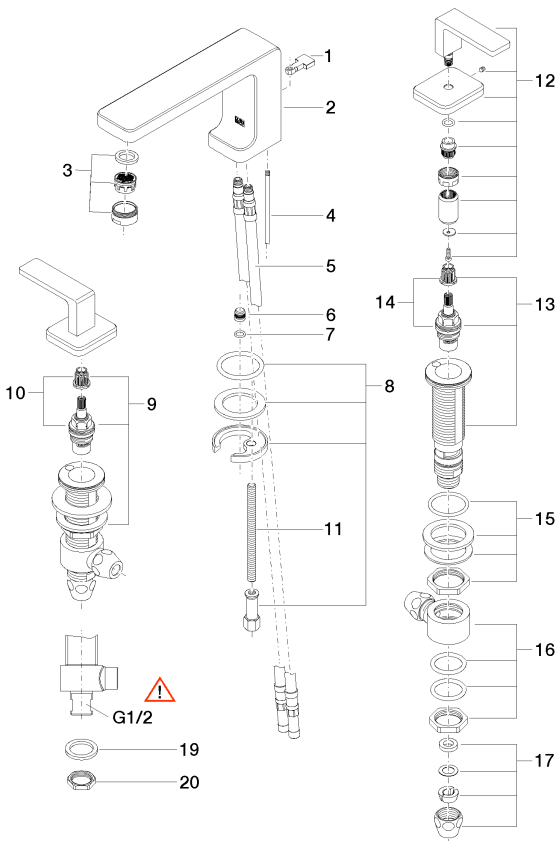
More custom finish options are available via special production (xTra Service). Please see our finish matrix for availability and pricing or contact a Dornbracht representative.

Sink - LULU

Three-hole lavatory mixer with drain - polished chrome

Article number: 20 713 710-00 0010

Spare parts list



Number	Item Number	Designation	Number of units
1	09 20 71 033-00	Drain - polished chrome	1
2	09 11 71 095 10-00	Outlet - polished chrome	1
3	90 23 01 118 03-00	Aerator - polished chrome	1
4	09 31 09 080-00	Pivot rod/lift knob - polished chrome	1
5	04 30 04 018 00 90	Tube -	2
6	09 31 20 052 90	Plug for European drain -	1
7	09 14 10 061 90	Washer -	1
8	04 30 11 038 75 90	Mounting bracket -	1
9	04 17 11 045 53 90	Deck valve -	1
10	90 90 03 153 00 90	Ceramic cartridge clockwise-closing -	1
11	09 31 11 012 90	Mounting bracket -	1
12	90 20 71 046 01-00	Handle - polished chrome	2
13	04 17 11 045 52 90	Deck valve -	1
14	90 90 03 152 00 90	Ceramic cartridge counter-clockwise closing -	1
15	04 23 10 032 78 90	Mounting bracket -	2
16	04 17 11 023 10 90	Wall connection -	2
17	04 23 30 040 00-00	Wall connection - polished chrome	4
18	04 11 01 023 00-00	Drain - polished chrome	1
19	09 30 11 059 90	Washer -	2
20	09 23 10 012 90	Mounting bracket -	2

18 Ablaufgeraet 04.11.01.023.00-#